

# 037S/039

**DENTAL CHAIR**

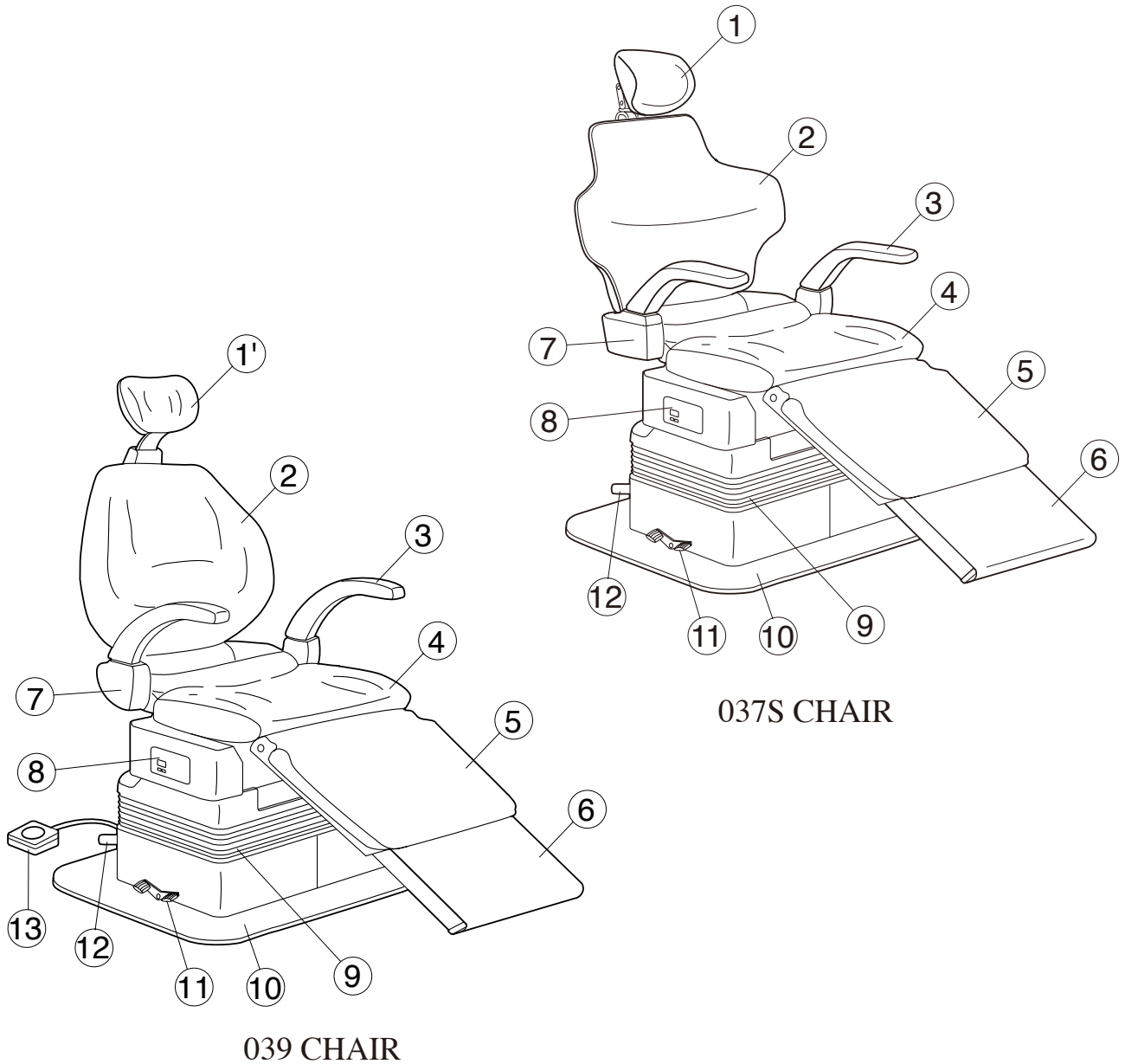
## INSTALLATION and OPERATION INSTRUCTIONS

### Table Of Contents

	Page
1. Overall View and Major Components ....	1
2. Dimensions and Specifications .....	2
3. Installation Procedures .....	3
4. Operation Procedures .....	4
5. Adjustment of Positioning .....	6
6. Care and Maintenance .....	6

 **Belmont<sup>®</sup>**

# 1. 037S / 039 OVERALL VIEW AND MAJOR COMPONENTS

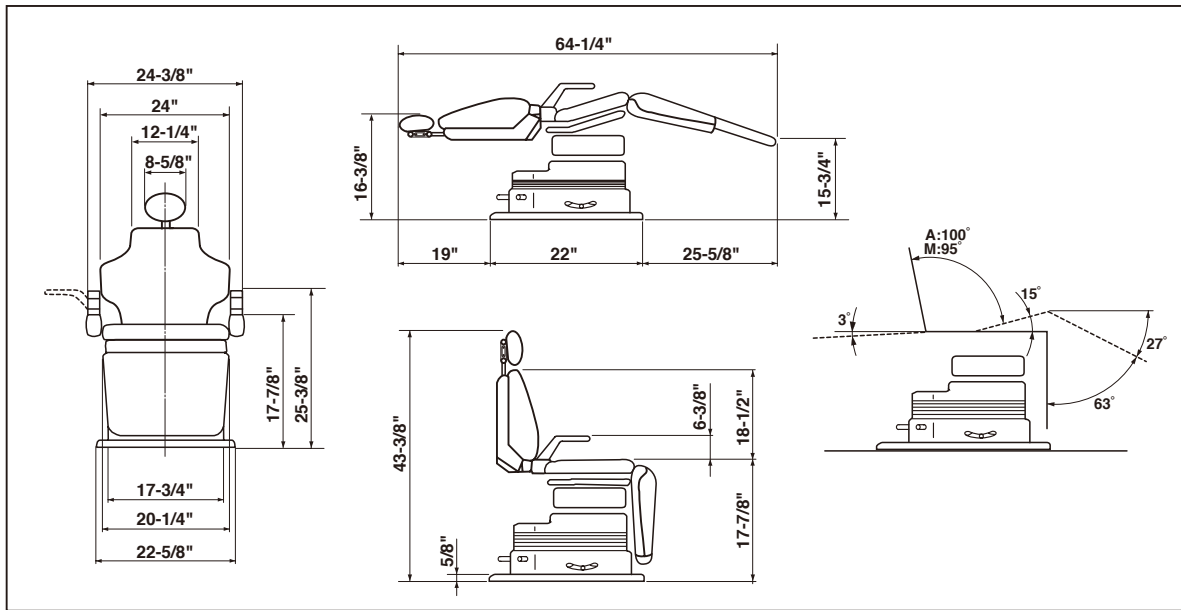


- |                           |                             |
|---------------------------|-----------------------------|
| (1) ARTICULATING HEADREST | (7) ARMREST BLOCK           |
| (1') POWER HEADREST       | (8) CHAIR PRESET PANEL      |
| (2) BACKREST              | (9) BELLOWS                 |
| (3) ARMREST               | (10) BASE PLATE             |
| (4) SEAT                  | (11) ROTATION LOCK PEDAL    |
| (5) LEGREST               | (12) FOOT SWITCH (CHAIR)    |
| (6) RETRACTABLE FOOTREST  | (13) FOOT SWITCH (HEADREST) |

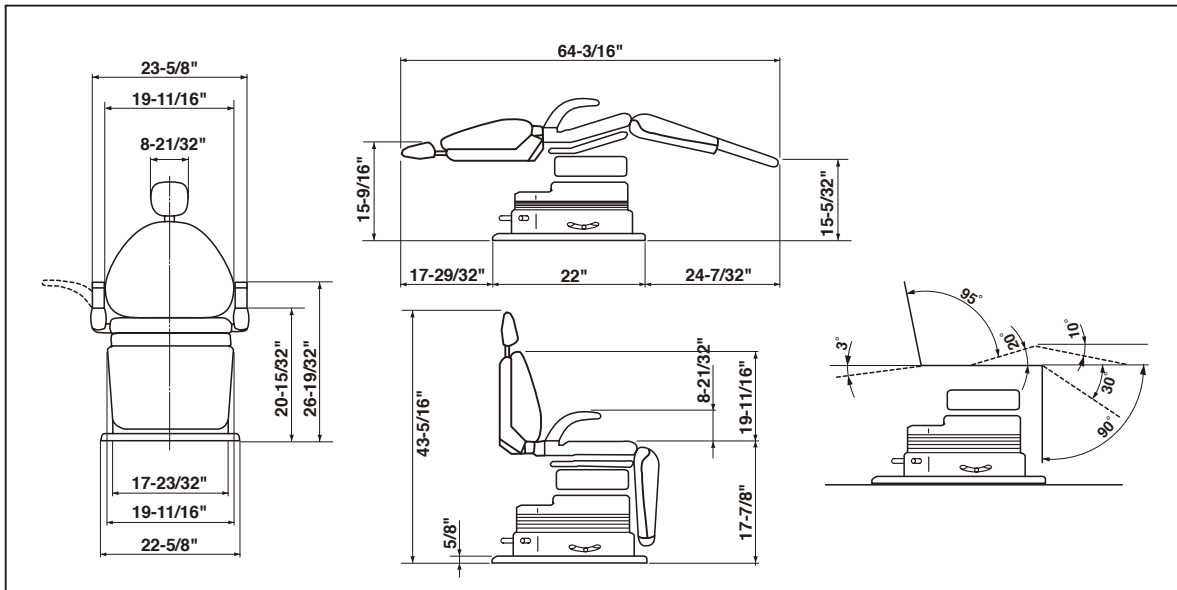
**Fig. 1-1 OVERALL VIEW**

## 2. DIMENSIONS AND SPECIFICATIONS

### 1) 037S Dimensions



### 2) 039 Dimensions

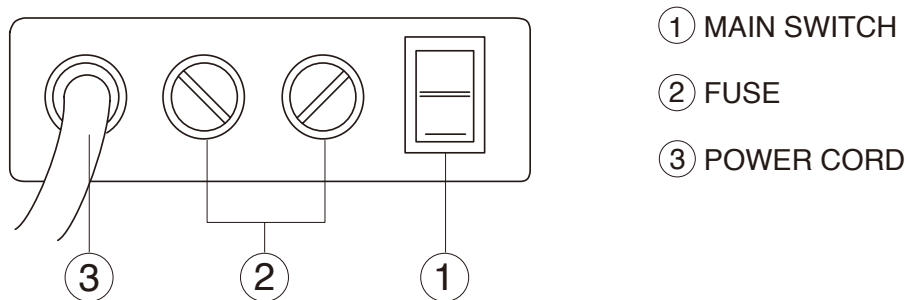


### 3) Specifications

CHAIR WEIGHT	-----	330 lbs (037S) / 339 lbs (039)
BASE DIMENSION	-----	22" x 22-5/8" x 5/8"
INITIAL HEIGHT	-----	17-7/8"
SEAT ELEVATION STROKE	-----	10-1/4"
HEADREST EXTENSION	-----	4-23/32" (039)
LEGREST EXTENSION	-----	9-1/16"
ROTATION	-----	220 Degree Total (110 Degree. Left & Right)
MOTOR PUMP	-----	Type 5LP
PUMPING CAPACITY	-----	0.72 L/min. (0.19 gal/min)
HYDRAULIC FLUID	-----	900 cc (30 fl.oz)10W Non Detergent Hydraulic Oil
POWER REQUIRED	-----	115V 50 / 60Hz 5.7 / 3.6 A

### 3. INSTALLATION PROCEDURES

- 1) Place chair crate just behind the planned location for the chair.
- 2) Open the crate and remove all packing materials.  
(Do not use sharp instrument that can damage upholstery.)  
Slide the chair off palette into the place.  
**DO NOT LIFT THE CHAIR BY ARMRESTS OR BACKREST.**
- 3) Once the chair is located, but **BEFORE PLUGGING INTO POWER**, do the followings ;
  - (1) Remove red bolt with a caution tag located on chair seat-plate.
  - (2) Grasping red tag on bellows, pull out rubber plug of oil reservoir.
  - (3) Save above red bolt and rubber plug in case the chair is ever reshipped in the future.
- 4) Remove 3 nuts and washers under the seat.  
Attach the seat on seat-plate and fix it by screwing the nuts and washers from underneath the seat-plate.
- 5) Attach bellows to bellows support.
  - (1) Loosen and remove 4 Phillips screws on bellows support-rear, then remove the bellows support-rear from the chair.
  - (2) Hang the top plate of bellows on the edge of bellows support-front, and hang the top-rear plate of bellows on the edge of bellows support-rear.
  - (3) Reattach bellows support-rear with hanging bellows on to the chair by screwing 4 Phillips screws.
- 6) Unpack the small carton containing accessories. Check following items in it.  
Headrest Assembly (037S) ..... 1 pce.  
Foot Switch (039) ..... 1 pce.  
Flat Head Wood Screw (Pie.4.8 - 40) ..... 4 pcs.  
Anchor Plug (7 x 30)..... 4 pcs.  
For an 037S chair, slide headrest into slide mount on top of backrest.
- 7) Plug the chair into an appropriate electric power source.
- 8) Turn on the Main Switch located on left side of Pump Cover. (See Fig. 3-1.)



**Fig. 3-1 Main Switch Panel**

### AFTER INSTALLATION

Once the chair is installed according to above steps, check the all chair functions following the operation procedures in this booklet.

## 4. OPERATION PROCEDURES

The Belmont 037S/039 chair was designed for maximum simplicity of operation. However, taking a few moments to familiarise yourself with the operation of the chair will make its operation comfortable and simple for you and your patients.

Basic Control Function:

Chair manual control functions are duplicated on both sides of the pump cover. Chair auto control functions are equipped on rear side of the pump cover. A separate foot control is used with the power headrest (039).

### 1) Chair Manual Controls (See Fig. 4-1.)

#### (1) Seat Height Control

To raise : Move either side mounted foot switch up.

To lower : Move either side mounted foot switch down.

#### (2) Backrest Control

To raise : Move either side mounted switch right.

To reclining : Move either side mounted switch left.

### 2) Chair Auto-mode Controls (See Fig. 4-1.)

#### (1) Preset Mode Controls (1.2.3)

037S/039 chair has two preset positions and last position memory. To place the chair in each position with footrest extension. Momentarily move the foot switch located on rear side of the pump cover.

1 (Preset 1) : Move rear mounted switch right.

2 (Preset 2) : Move rear mounted switch left.

3 (LP) : Move rear mounted switch up.

#### (2) Auto-return Control (0)

To return the chair to the patient entry position (fully lowered with the footrest retracted), momentarily move rear mounted foot switch down .

### 3) Power Headrest Controls (039) (See Fig. 4-1.)

(1) To extend : Press down upper area of foot control disc.

To retract : Press down lower area of foot control disc.

(2) To move back : Press down right side of foot control disc.

To move forward : Press down left side of foot control disc.

### 4) Articulating twin axis prosthetic headrest adjustments (037S) (See Fig. 4-2.)

Articulating twin axis prosthetic headrest adjusts to match patient's anatomy, locks securely in any desired position.

To extend : Simply pull up to desired position.

To retract : Depress to desired position.

### 5) Safety Stop

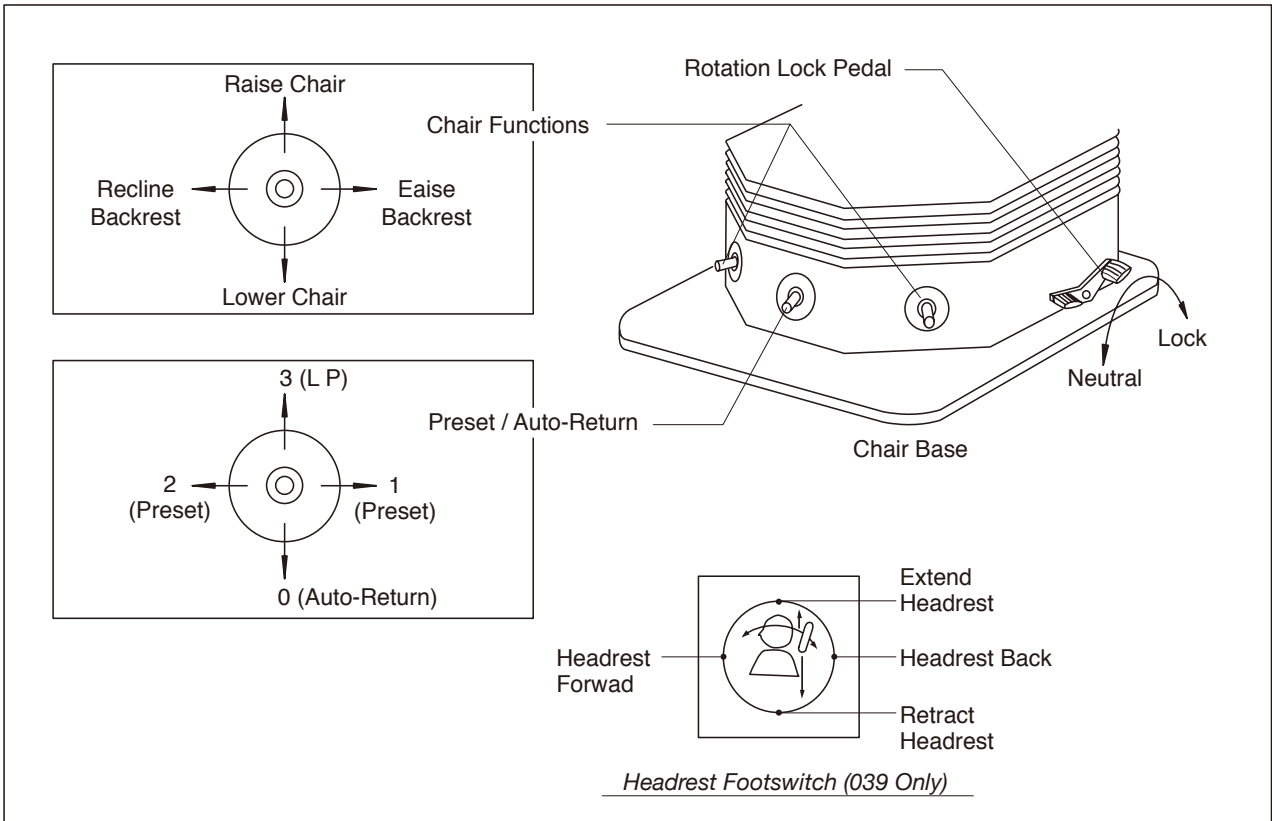
Automatic travel in all automatic mode can be instantly cancelled at any time by momentarily pressing any control switch.

### 6) Armrest Rotation (See Fig. 4-3.)

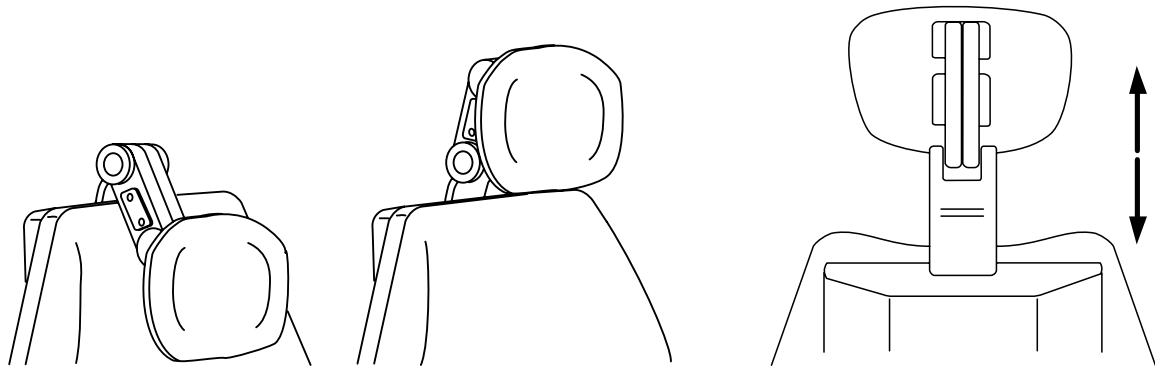
Either armrest can be rotated outward by pulling.

### 7) Chair Rotation (See Fig. 4-1.)

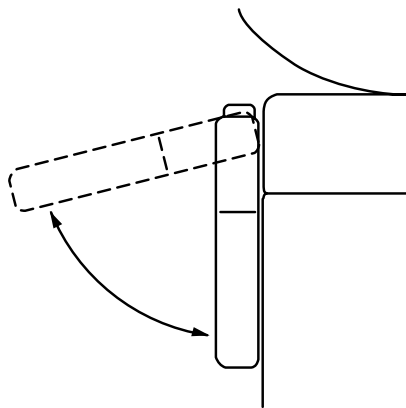
Release rotation lock by pressing "N" footpad and lock chair in desired position by pressing "L" footpad.



**Fig. 4-1 Control Switch Location & Function**



**Fig. 4-2 Headrest Adjustment**



**Fig. 4-3 Armrest Rotation**

## 5. ADJUSTMENT OF POSITIONING

### 1) Auto Return , Preset , and Rinsing Position Setup (Fig.5-1)

There are two different setup procedures but the results are the same.

#### Setup Procedure 1.

1. Move the chair to desired position by manual control switches.(Also, move the legrest to the desired extension or retraction limit position)
2. Move the stick switch (0 or 1 or 2 or 3) for that position until the beeper sounds (about 5 seconds) to complete the procedure.
  - 0 : Auto return
  - 1 : Preset-1
  - 2 : Preset-2
  - 3 : (LP) Rinsing position as the last position

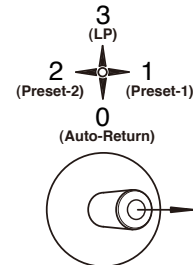


Fig.5-1 Stick switch

#### Setup Procedure 2.

1. Move the chair to desired position by manual control switches.(Also, move the legrest to the desired extension or retraction limit position)
2. Press and hold down the “Store” SW (about 2 seconds)(Fig.5-2).  
After the initial beeper sound, the beeper keeps on sounding once at the “pip, pip” (ten times at one second intervals).
3. Press the stick SW (1 or 2 or 3) for that position to complete the procedure.  
If the step 3 does not take place within 10 seconds, the procedure is terminated.  
(Setup of the Auto return position is not available.)
4. To exit the procedure during the step 2, press the “Store” SW once again.

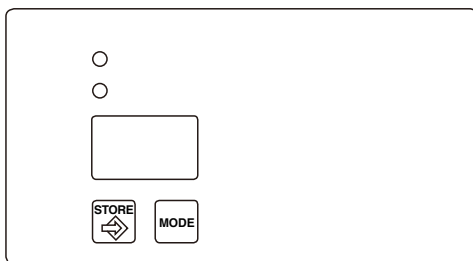


Fig.5-2 Chair Preset Panel

## 6. CARE AND MAINTENANCE

Other than cleaning, no scheduled maintenance of the chair is required.

Painted metal parts and vinyl upholstery should be cleaned with a mild detergent followed by disinfecting with alcohol.

The area around control switches can be cleaned with the same agent, however be sure to use only a moistened cloth to avoid getting contaminants into switch mechanism. NOTE: For safety reasons, the switch on this chair operate at low voltage.

Memo



**BELMONT EQUIPMENT, Division of Takara Belmont USA, Inc.**

101 Belmont Drive Somerset, New Jersey 08873 U.S.A. TEL.:(732) 469-5000 / (800) 223-1192 Fax.:(732)526-6322 / (800) 280-7504

**TAKARA CO, CANADA LTD.**

2076 S. Sheridan Way, Mississauga, Ont., L5J2M4, Can. TEL.:(905) 822-2755 Fax.:(905)822-6203

4E. 2006.06