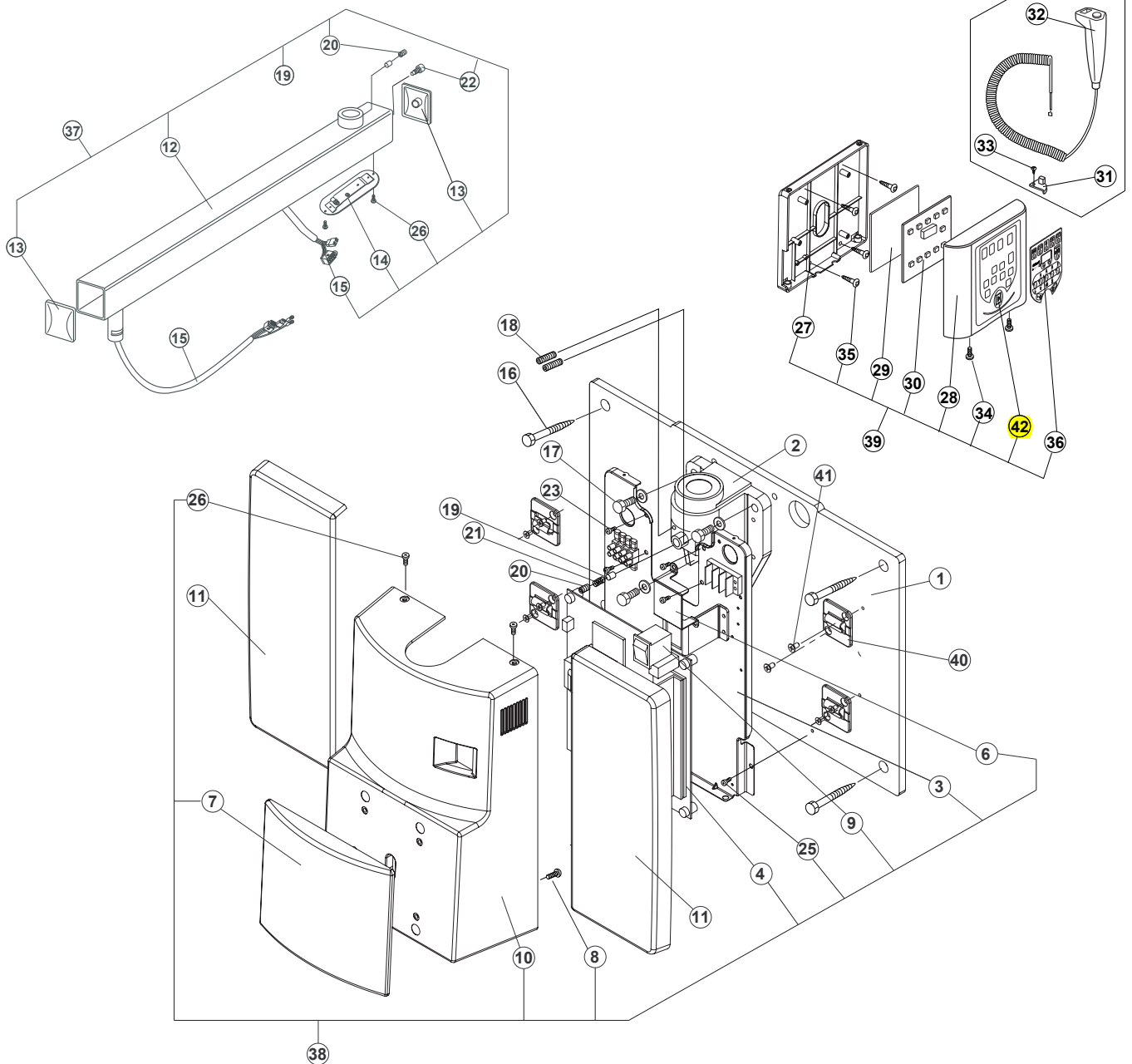


[2] CONTROLLER ASSEMBLY

OPTION E06-EHLL53A0



ID.No.	Parts No.	Description	QTY
1	1A0FUJA0	Wall Plate	1
2	ECPE34B0	Arm Mounting Bracket	1
3	1A0389B0	Chassis	1
4	1A0ERXA0	Power PC Board	1
6	1A0387A0	Restriction Plate	1
7	1A0FTZA0	Front Panel	1
8	-----	Screw for Front Panel	1
9	1E01J8A0	Main Power Switch	1
10	1A0FTYA0	Front Cover	1
11	1A0FUEA0	Side Cover	1
12	EHLL26A0	Horizontal Arm Frame	1
13	ECQR61A0	Arm End Cap	2
14	ECQR70C0	Arm Bottom Cover	2
15	1P03JWA0	Wire Harness in Horizontal Arm (800mm)	(1)
	1P03JXA0	Wire Harness in Horizontal Arm (1000mm)	(1)
	1P03JTA0	Wire Harness in Horizontal Arm (300mm)	(1)
	1P03JUA0	Wire Harness in Horizontal Arm (500mm)	(1)
	1P03JVA0	Wire Harness in Horizontal Arm (650mm)	(1)
16	-----	Lag Screw	4
17	-----	Machine Bolt	3
18	ECPR44B0	Retaining Bolt	2
19	ECLS06B0	Brake Plug	1
20	-----	Brake Screw	1
21	ECLS11B0	Brake Spring	1

ID.No.	Parts No.	Description	QTY
22	ECLS09B0	Stopper Screw	1
23	-----	Screw for Chassis	4
25	-----	Screw for Chassis	2
26	-----	Screw for Cover	2
27	1A0FU1A0	Chassis for Sub Controller	1
28	1A0FU0A0	Front Panel for Sub Controller	1
29	ECQR58A0	Protector for Timer PC Board	1
30	1A0HHVA0	Timer PC Board	1
31	1A0FZCA0	Hook for Hand Exposure Switch(Option)	1
32	EHLL53A0	Hand Exposure Switch Assembly(Option)	1
33	-----	Tapping Screw(Option)	1
34	-----	Front Cover screw for Sub Controller	2
35	-----	Wood Screw	2
36	1A0ERWA0	Switch sheet	1
37	1S01WFA0	Horizontal Arm Assmby (800mm)	(1)
	1S0ES3A0	Horizontal Arm Assmby (1000mm)	(1)
	1S0ES0A0	Horizontal Arm Assmby (300mm)	(1)
	1S0ES1A0	Horizontal Arm Assmby (500mm)	(1)
	1S0ES2A0	Horizontal Arm Assmby (650mm)	(1)
38	1S01W9A0	Main Controller Assembly	1
39	1S01W8A0	Sub Controller Assembly	1
40	1A0FUFA0	Hook for Side Cover	1
41	-----	Screw for Hook	1
42	E06-EHLLN17A0	Exposure Switch Assembly	1