

# Belmont Quolis 5000 Setup



## Opening chair boxes

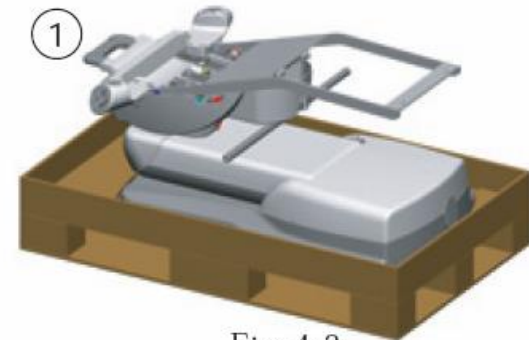
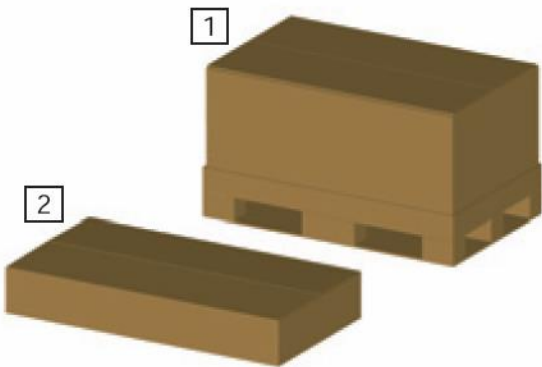


Fig. 4-2

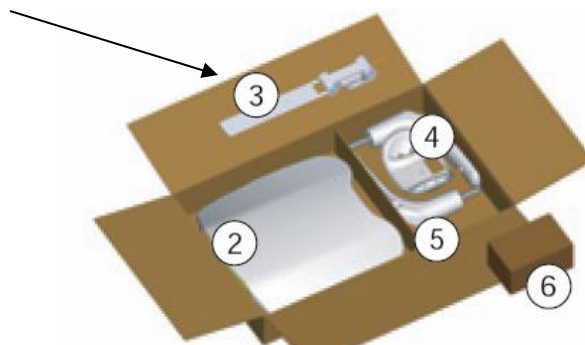


Fig. 4-3

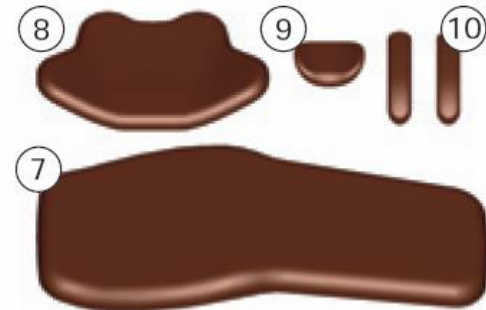


Fig. 4-4

**NOTE** all bolts for chair are in chair box

# Belmont Quolis 5000 Setup

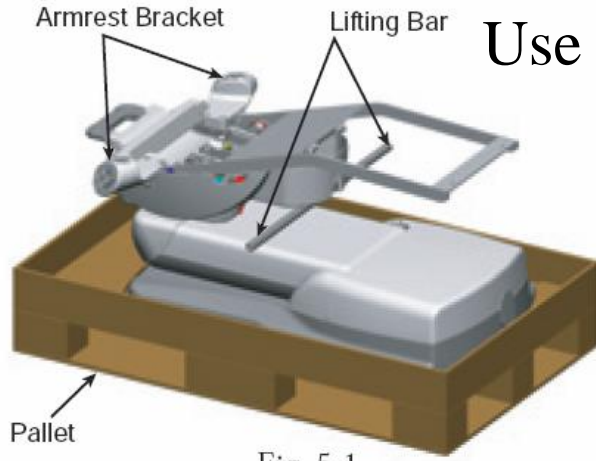


Fig. 5-1

Use bar to lift

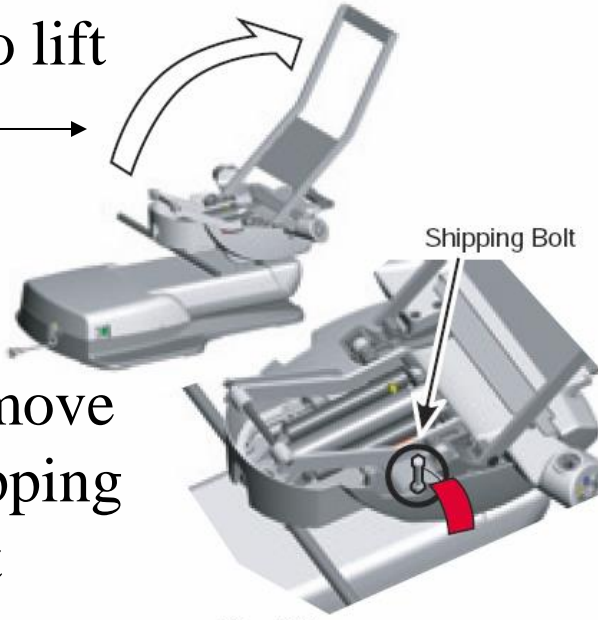
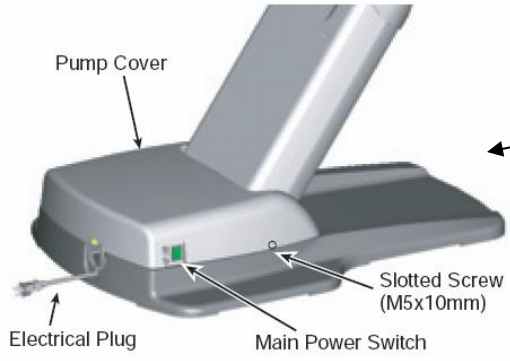
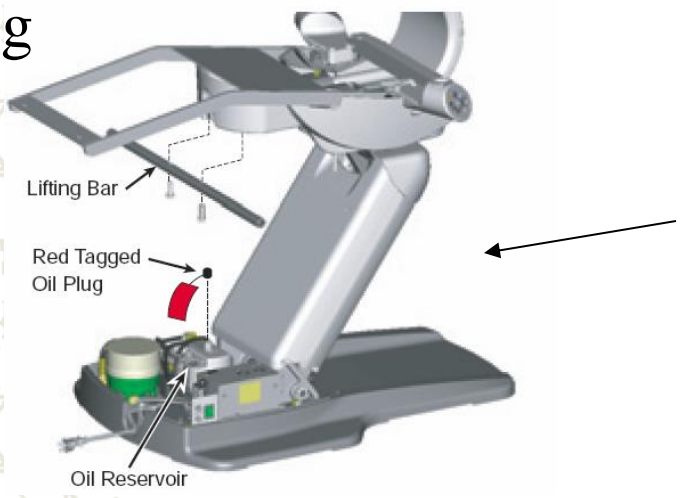


Fig. 5-2

Remove shipping bolt

Remove rubber plug



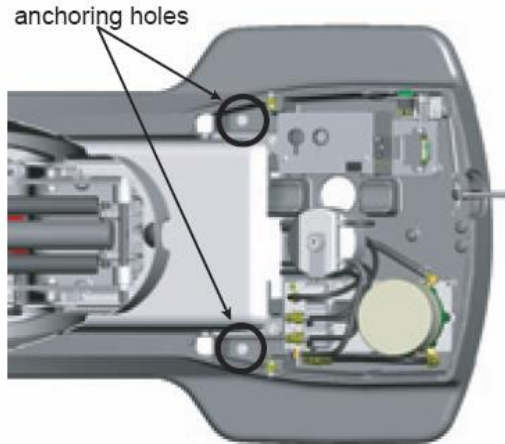


Fig. 5-5

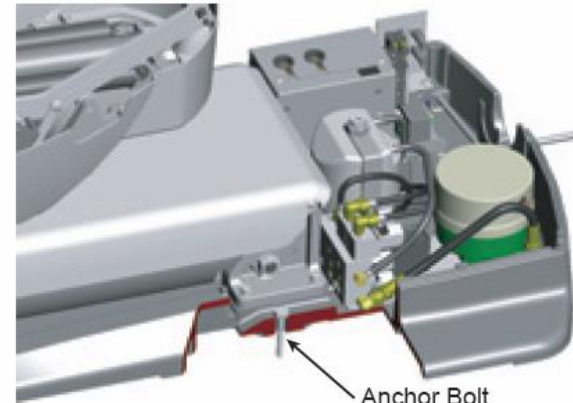
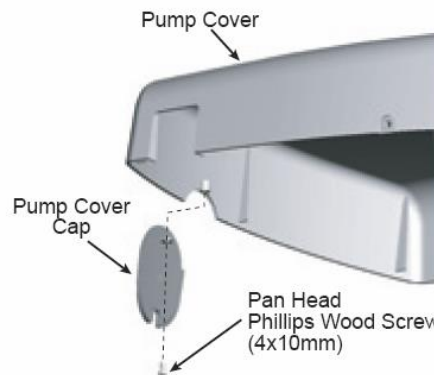


Fig. 5-6

Anchor  
points



cap

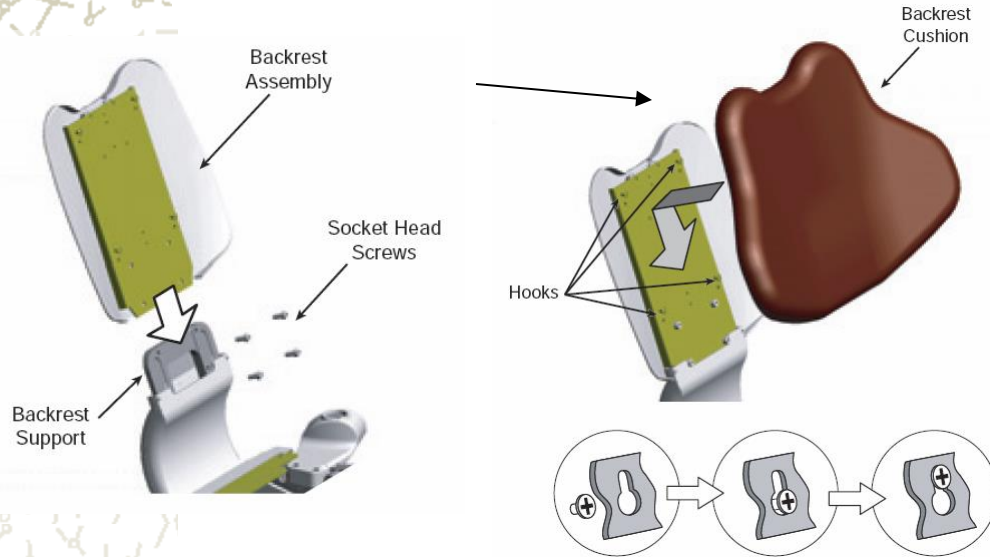


Fig. 5-8

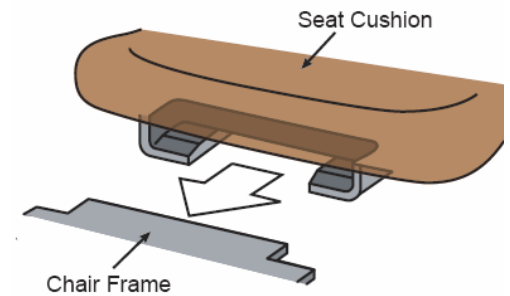


# Belmont

# Quolis 5000 Setup



## Assemble back



## Assemble seat

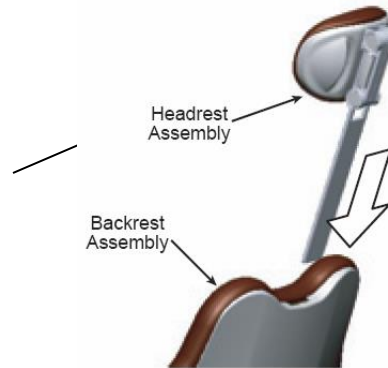
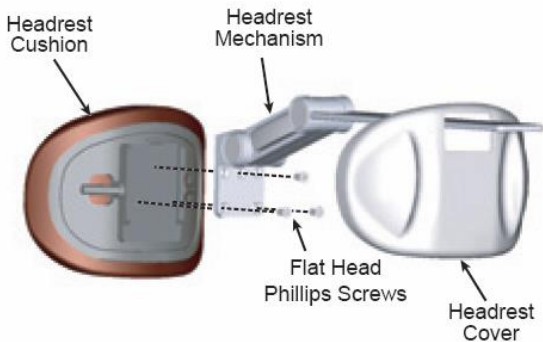
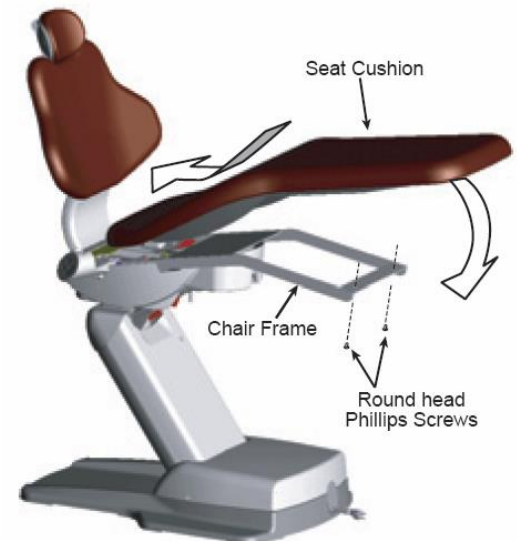


Fig. 5-8



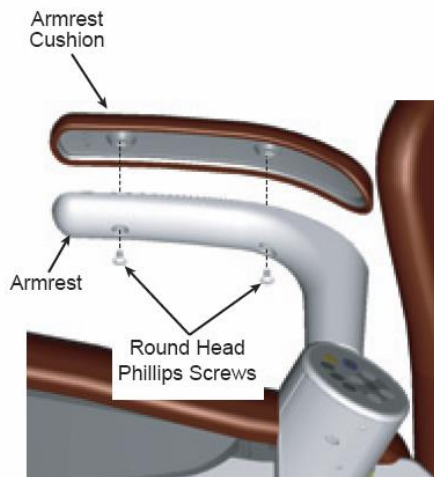
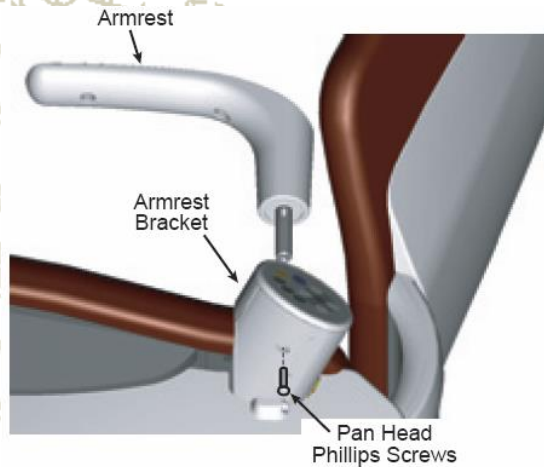
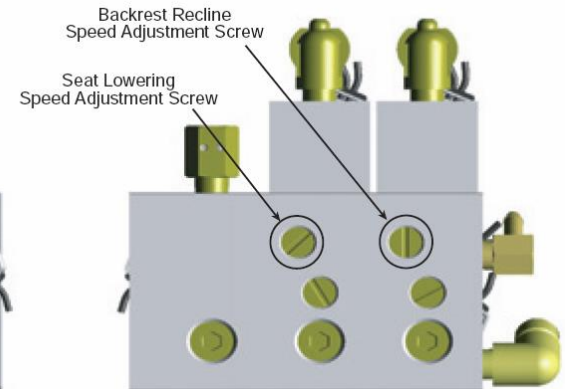
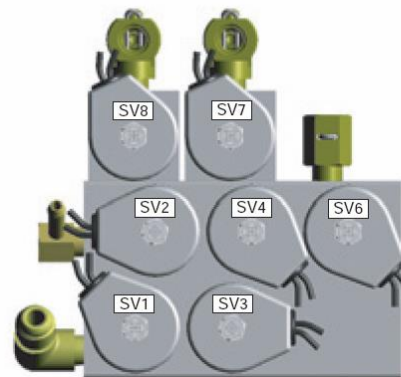
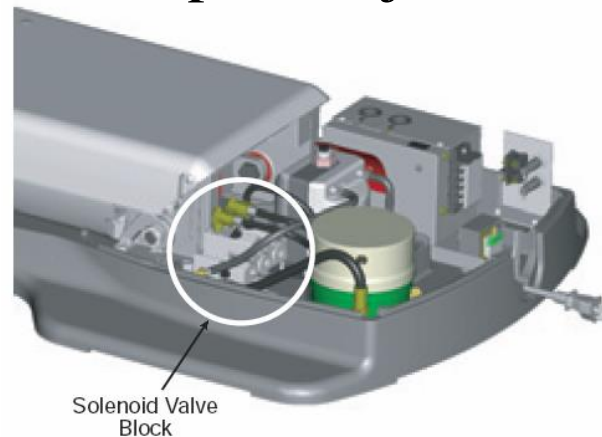


Fig. 5-13



## Speed adjust



- SV1 : Backrest Raising
- SV2 : Backrest Reclining
- SV3 : Seat Lifting
- SV4 : Seat Lowering
- SV6 : Swivel Brake Release
- SV7 : Seat Shockless
- SV8 : Backrest Shockless