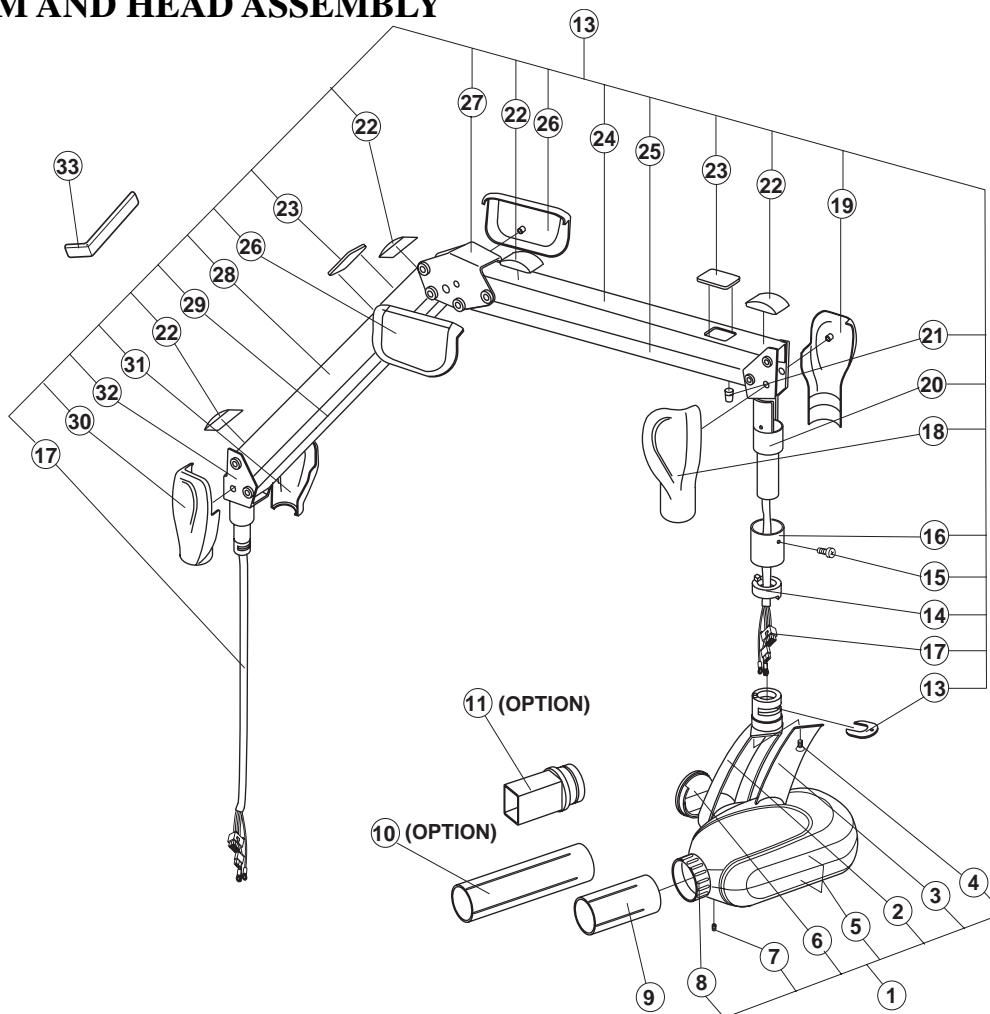


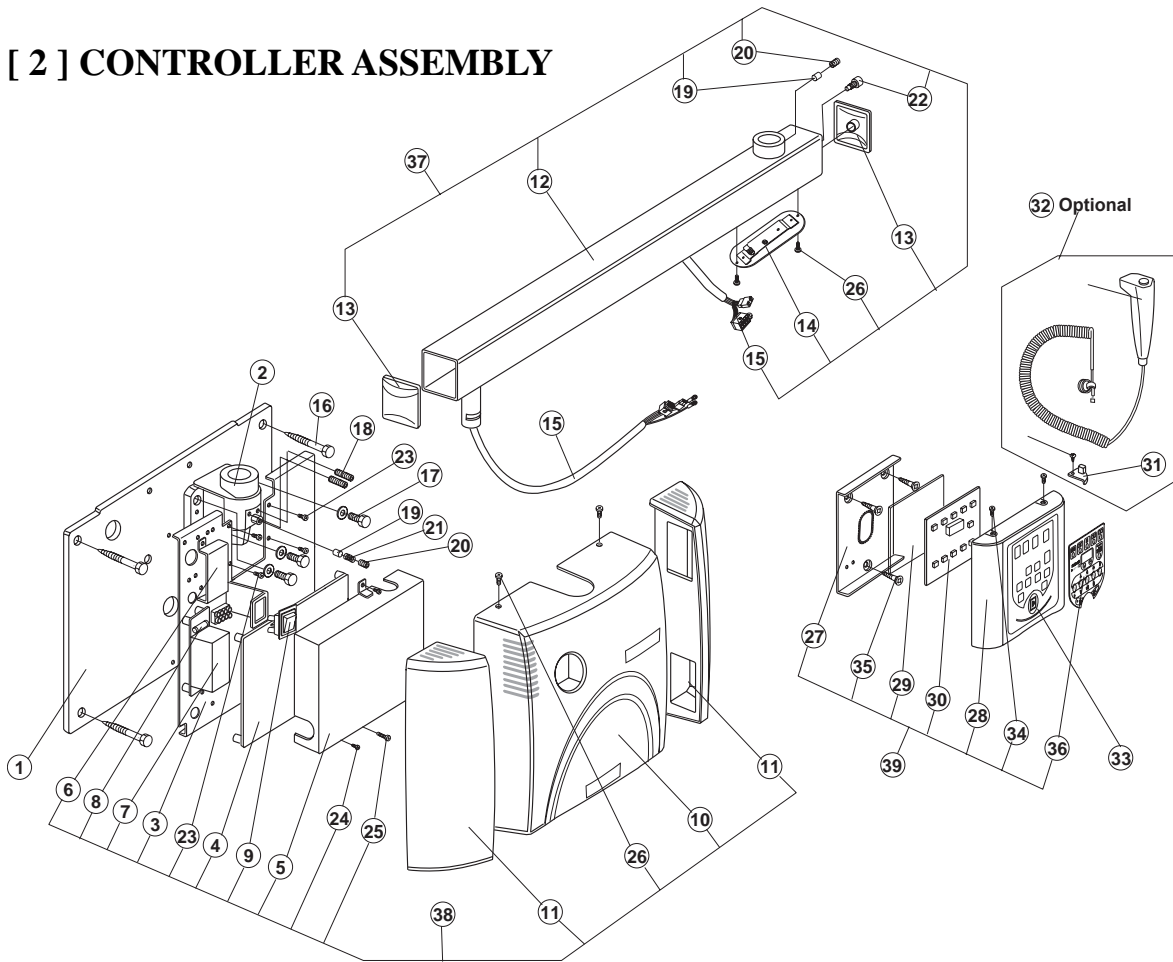
# PARTS IDENTIFICATION

## [ 1 ] ARM AND HEAD ASSEMBLY



ID.No.	Parts No.	Description	QTY	USA Code
1	<b>EHL11A0</b>	X-Ray Head Assembly	1	E06-EHLL54A0
2	E06-ECPE24A0	Yoke	1	E06-ECPE24A0
3	E06-ECPJ75A0	Yoke Inside Cover	1	E06-ECPJ75A0
4	-----	Yoke Inside Cover Screw (M3 x 8)	1	-----
5	E06-EHLL55A0	Head Housing Cover Set	1 set	E06-EHLL55A0
6	E06-ECQR60A0	Yoke Side Cap	1	E06-ECQR60A0
7	-----	Yoke Side Cap Screw (ø3 x 8)	1	-----
8	E06-ECPJ65A0	Lock Ring	1	E06-ECPJ65A0
9	E06-ECQR36A0	Regular Cone	1	E06-ECQR36A0
10	E06-EHLZ72A0	Long Cone (Option)	(1)	303L
11	E06-EHLZ73A0	Rectangular Cone (Option)	(1)	303REC
12	E06-EHLL56A0	Balance Arm Assembly	1	E06-EHLL56A0
13	E06-ECQR62A0	Head Key	1	E06-ECQR62A0
14	E06-ECQR24A0	Stopper Ring	1	E06-ECQR24A0
15	-----	Arm Collar Screw (M4 x 8)	1	-----
16	E06-ECQR31A0	Arm Collar	1	E06-ECQR31A0
17	E06-EFLR12A0	Wire Harness in Balance Arm	1	E06-EFLR12A0
18	E04-ECPE19F0	Left Cover for Joint No.3	1	096ECPE19F0
19	E04-ECPE18F0	Right Cover for Joint No.3	1	096ECPE18F0
20	E06-ECPE16B0	Joint No.3	1	E06-ECPE16B0
21	E04-ECQR33A0	Cushion Absorber	1	096ECQR33A0
22	E04-ECQR27B0	Crevice Cover	4	096ECQR27B0
23	E04-ECQR30C0	Spring Adjuster Cover	2	096ECQR30C0
24	E04-ECPJ60A0	Arm Cover No.2	1	096ECPJ60A0
25	E04-ECPE30B0	Balance Arm No.2	1	096ECPE30B0
26	E04-ECPJ64C0	Cover for Joint No.2	2	096ECPJ64C0
27	E04-ECPJ58B0	Joint No.2	1	096ECPJ58B0
28	E04-ECPJ59A0	Arm Cover No.1	1	096ECPJ59A0
29	E04-ECPE31B0	Balance Arm No.1	1	096ECPE31B0
30	E04-ECPJ63F0	Left Cover for Joint No.1	1	096ECPJ63F0
31	E04-ECPJ62F0	Right Cover for Joint No.1	1	096ECPJ62F0
32	E04-ECPE15B0	Joint No.1	1	096ECPE15B0
33	E04-ECLJ82A0	Balance Arm Wrench	1	096-1082

## [ 2 ] CONTROLLER ASSEMBLY



ID.No.	Parts No.	Description	QTY	USA Code
1	E06-ECPJ71B0	Wall Plate	1	E06-ECPJ71B0
2	E06-ECPE29B0	Arm Mounting Bracket	1	E06-ECPE29B0
3	E06-ECPE28B0	Chassis	1	E06-ECPE28B0
4	E06-EHLL22A0	Power PC Board	1	E06-EHLL22A0
5	E06-ECPJ72A0	Shielding Cover	1	E06-ECPJ72A0
6	E06-ECQR63A0	Restriction Plate	1	E06-ECQR63A0
7	E06-EHLL23A0	Filter PC Board	1	E06-EHLL23A0
8	E06-EFPR28A0	Fuse (10A)	1	E06-EFPR28A0
9	E06-EFPR27A0	Main Power Switch	1	E06-EFPR27A0
10	E06-ECPB09B0	Front Cover	1	E06-EFPR27A0
11	E06-ECPE27A0	Side Cover	2	E06-ECPB09B0
12	E06-EHLL26A0	Horizontal Arm Frame	1	E06-ECPE27A0
13	E06-ECQR61A0	Arm End Cap	2	E06-ECQR61A0
14	E06-ECQR70A0	Arm Bottom Cover	1	E06-ECQR70A0
15	E06-EFLR13A0	Wire Harness In Horizontal Arm	1	E06-EFLR13A0
16	-----	Lag Screw (ø9 x 75)	4	-----
17	-----	Machine Bolt (M8 x 20)	3	-----
18	E04-ECPR44A0	Retaining Bolt (M6 x 35)	2	E04-ECPR44A0
19	E04-ECLS06A0	Brake Plug	2	E04-ECLS06A0
20	-----	Brake Screw (M6 x 6)	2	-----
21	E04-ECLS11A0	Brake Spring	1	E04-ECLS11A0
22	E04-ECLS09A0	Stopper Screw (M6)	1	E04-ECLS09A0
23	-----	Screw for Chassis (M4 x 10)	4	-----
24	-----	Screw for Shielding Cover (M3 x 6)	2	-----
25	-----	Screw for Chassis (M4 x 20)	1	-----
26	-----	Screw for Front Cover (M3 x 8)	4	-----
27	E06-ECPJ70B0	Chassis (Dub Controller)	1	E06-ECPJ70B0
28	E06-ECPE25C0	Front Panel	1	E06-ECPE25C0
29	E06-ECQR58A0	Protector for Timer PC Board	1	E06-ECQR58A0
30	E06-EHLL25A0	Timer PC Board	1	E06-EHLL25A0
31	E06-ECQR68A0	Hook (Option)	1	E06-ECQR68A0
32	E06-EHLL53A0	Hand Exposure Switch Assembly (Option)	1	E06-EHLL53A0
33	-E06-EHLN17A0	Exposure switch assembly	1	-----
34	-----	Screw for Front Panel (M3 x 8)	2	-----
35	-----	Wood Screw (ø4.1 x 20)	3	-----
36	E06-ECPJ73B0	Membrane Switch	1	E06-ECPJ73B0
37	E06-EHLL26A0	Horizontal Arm Assembly	1	E06-EHLL26A0
38	E06-EHLL51A0	Main Controller Assembly	1	E06-EHLL51A0
39	E06-EHLL52A0	Sub Controller Assembly	1	E06-EHLL52A0
31~32	-----	Hand Exposure Switch Assembly Kit (Option)	(1)	E06-EHLN17A0
40	-----	Pass-Thru Plate (Option) 12.5" wide mounting	(1)	303NWP