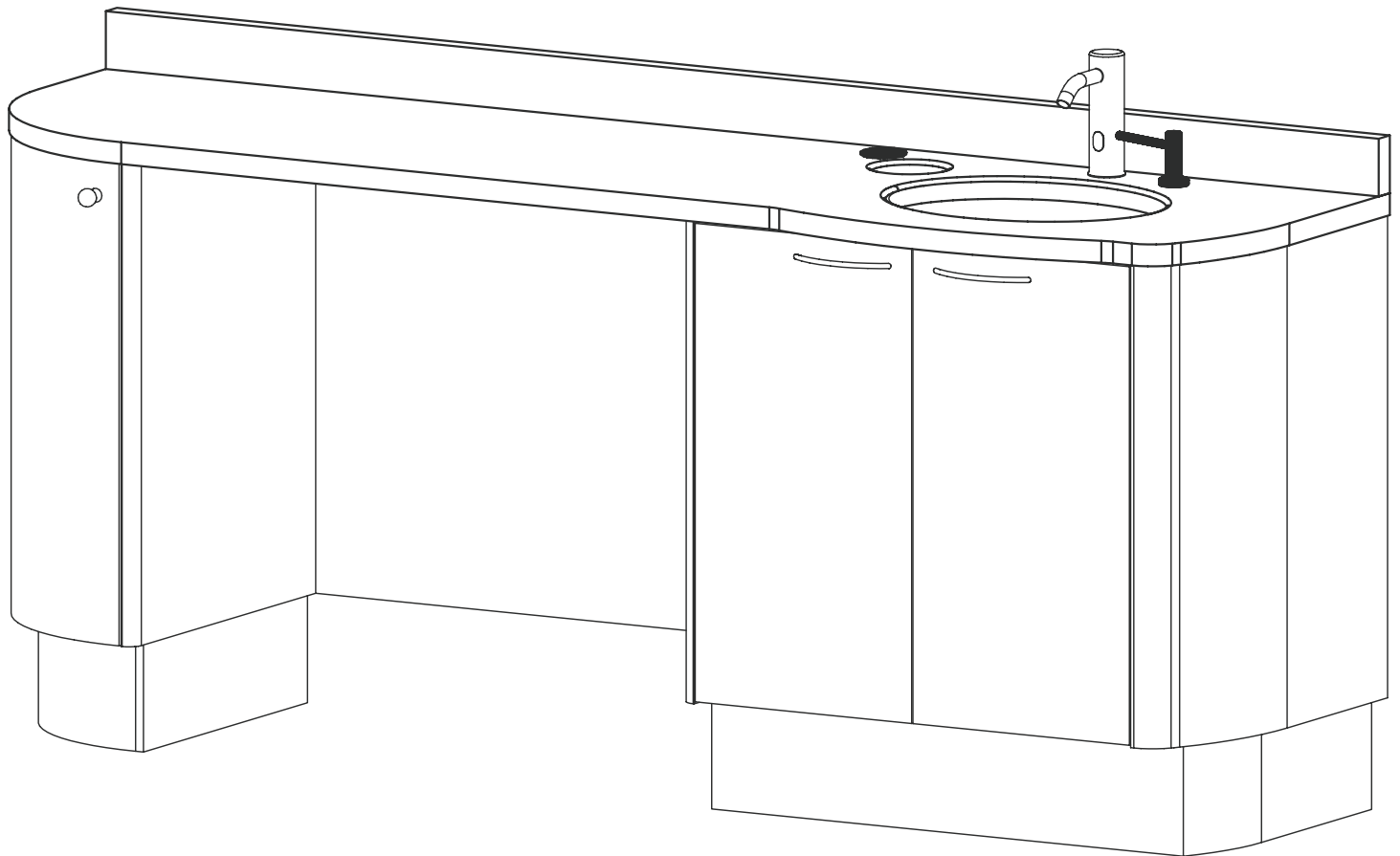


# D-Series Dental Cabinetry System

Installation Manual

Model: D-1



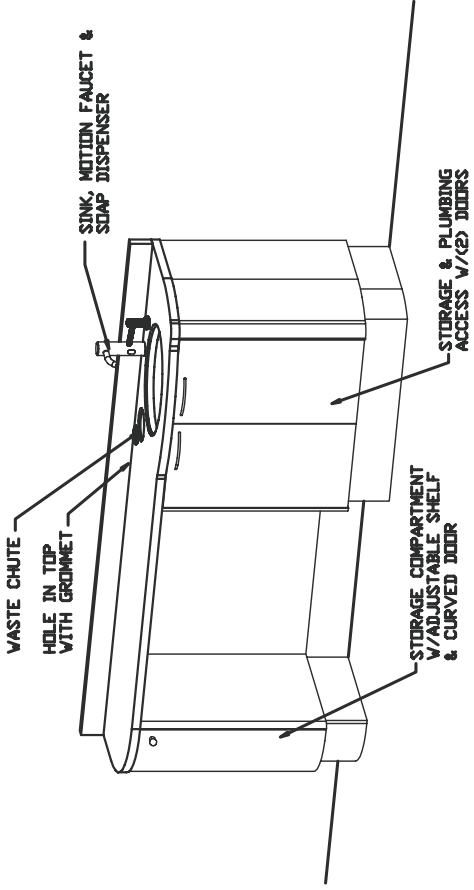
Version: 04012013



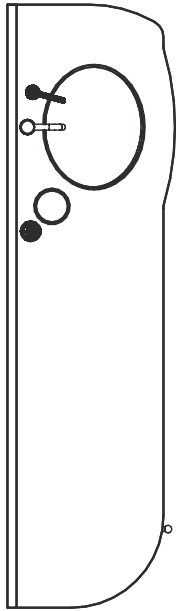
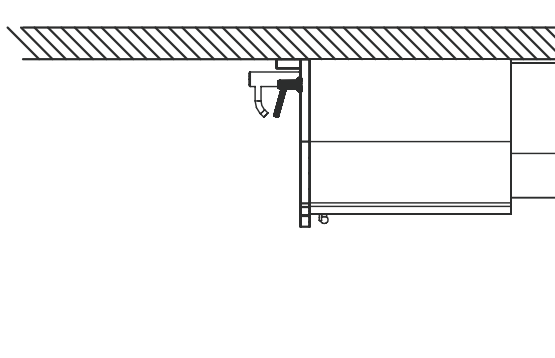
1631 Dr. Martin Luther King Drive  
St. Louis, MO 63106  
(314) 231-7383 1-800-325-7373  
Fax (314) 621-2296  
[www.belmontequip.com](http://www.belmontequip.com)

# Model: D-1 Details

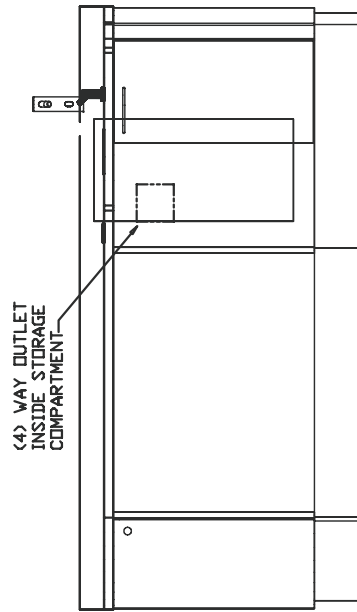
Description: D-1 DOCTOR'S 00N80LE



ISOMETRIC VIEW



TOP VIEW

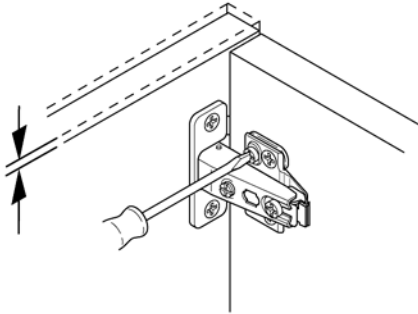


FRONT VIEW

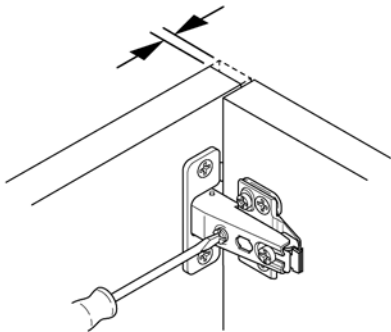
## Adjustment Instructions for Concealed Hinges and Drawers

### Hinge Adjustment For Standard Doors

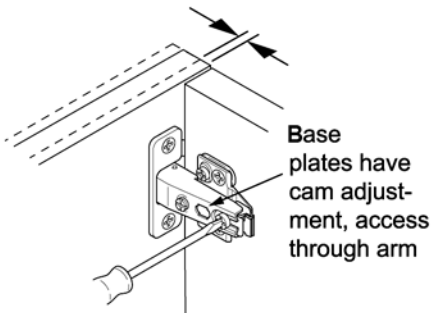
Height



Side



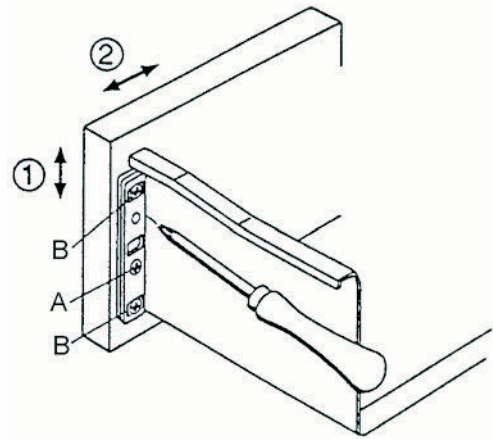
Depth



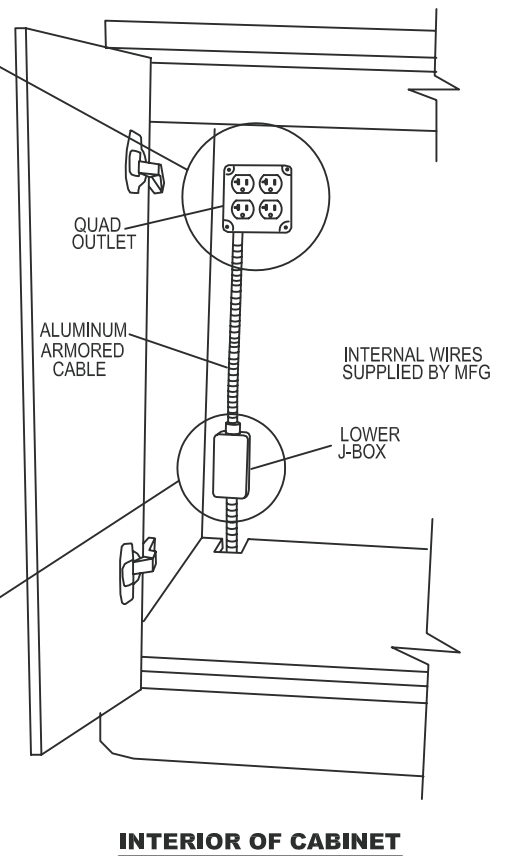
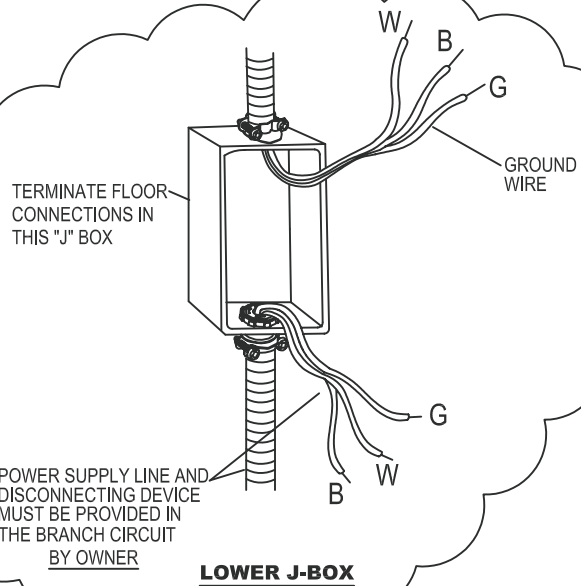
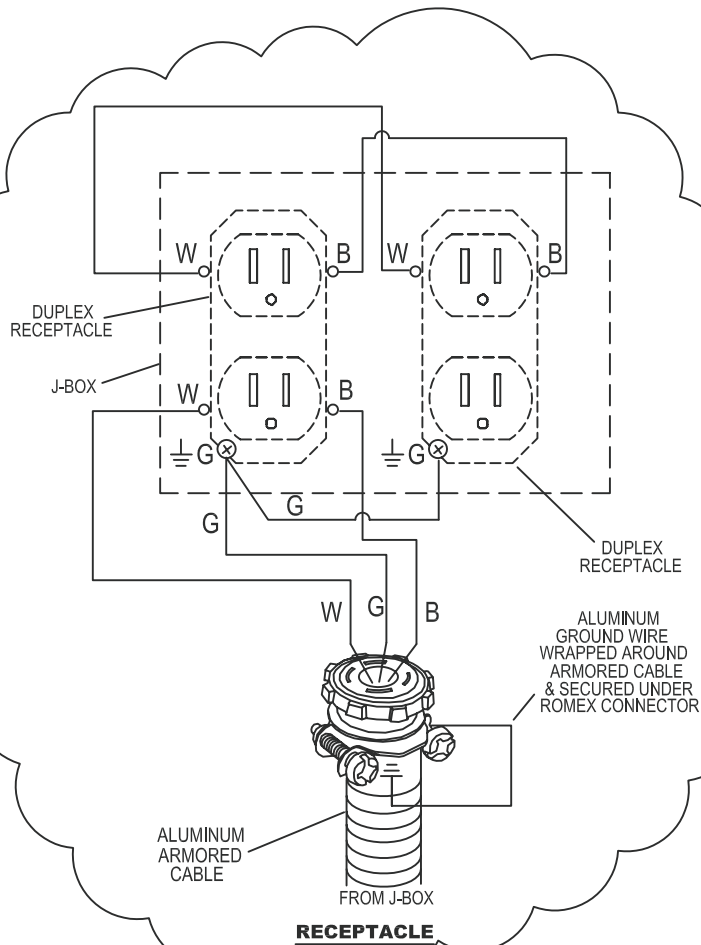
### Adjustment for Drawer

1 – Height adjustment: Loosen screws **B** slightly. Adjust screw **A** (adjustment +/- 2mm). Tighten screws **B**

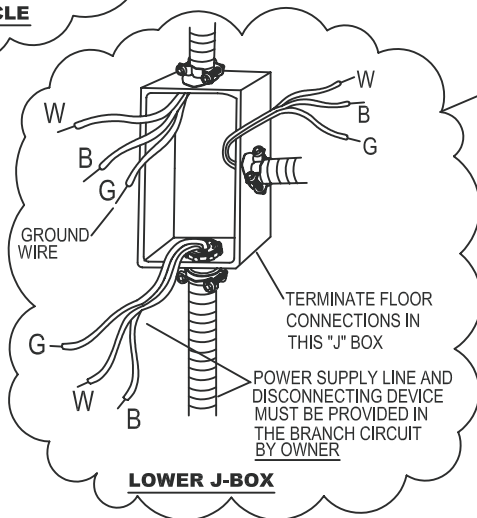
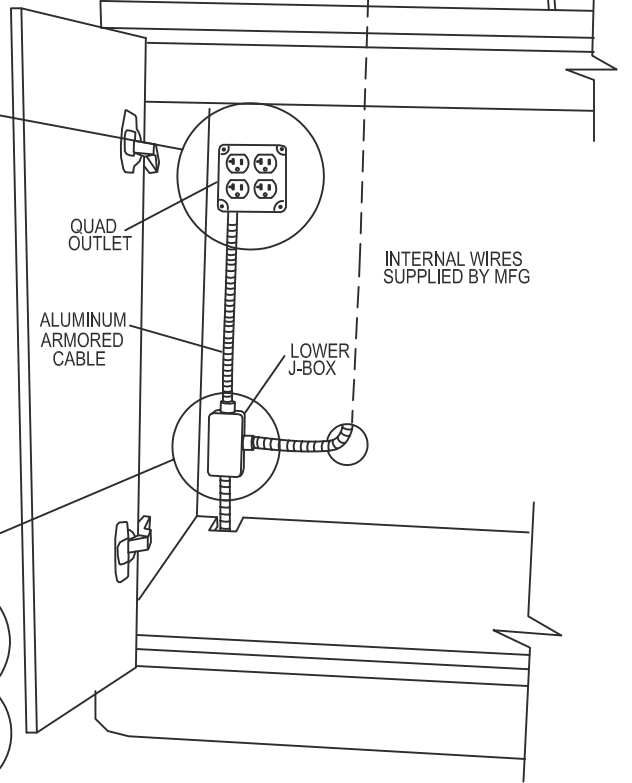
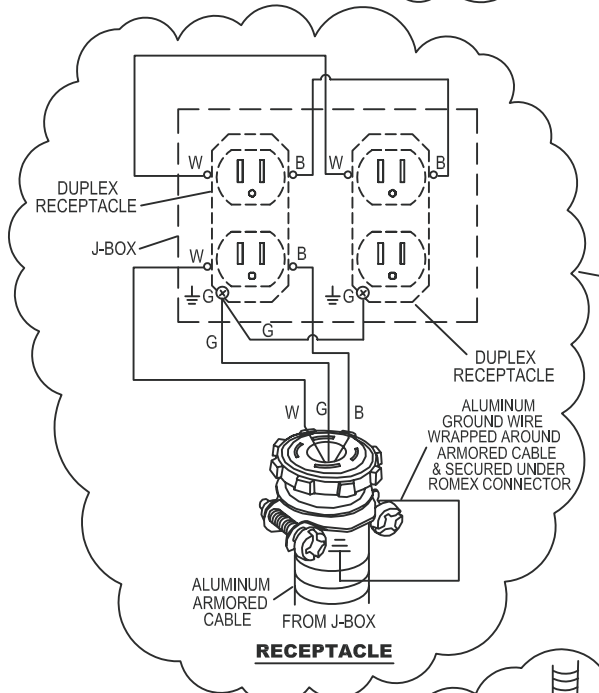
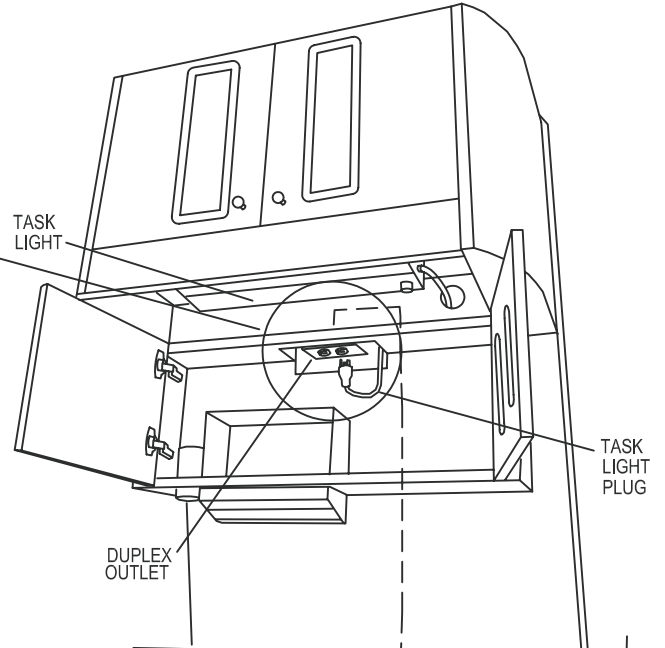
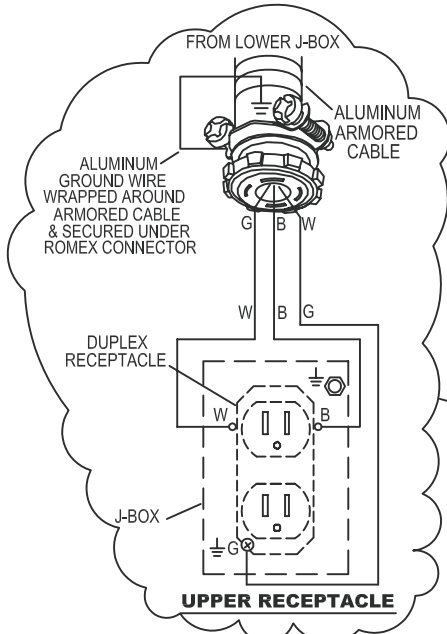
2 - Side adjustment: Loosen screws **B** slightly. Adjust front to required position (adjustment range +/- 1.5mm). Tighten screws **B**



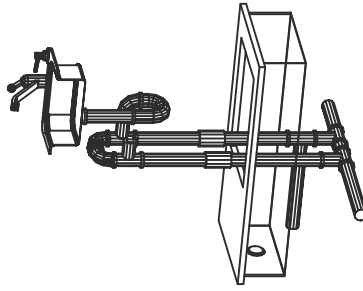
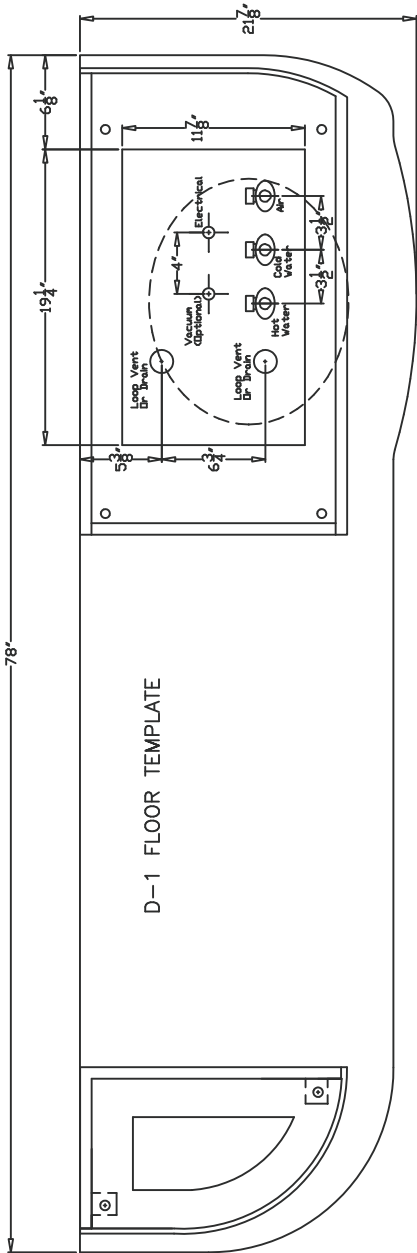
# D-1 & D-3 ELECTRICAL HOOKUP



## D-1 OR D-3 WITH D-2 ELECTRICAL HOOKUP

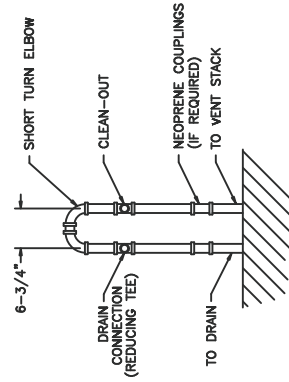
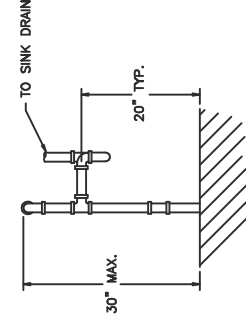


**INTERIOR OF CABINET**



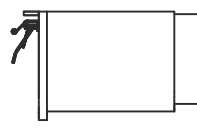
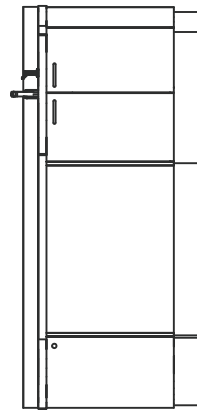
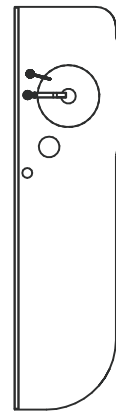
1/2" NPT  
FLOOR  
1-1/8" TO 1-3/8"

DETAIL OF AIR, WATER, AND VACUUM STUBS  
(STOP VALVES SUPPLIED WITH CABINET)



KOKEN MANUFACTURING ASSUMES NO RESPONSIBILITY FOR MEASUREMENTS OR DIMENSIONS OF THE CABINET OR ANY PARTS THEREOF. THE LOCATION OF ALL ELECTRICAL SOURCES OR CORRECT AMPERAGE REQUIRED, PLUMBING ARE MEASUREMENTS ON THIS DRAWING ARE THE RESPONSIBILITY OF THE LOCAL CODE REGULATIONS, AS WELL AS LOCAL CHECKED WITH THE ARCHITECT OR PROPER CONTRACTOR BEFORE WORK IS STARTED.

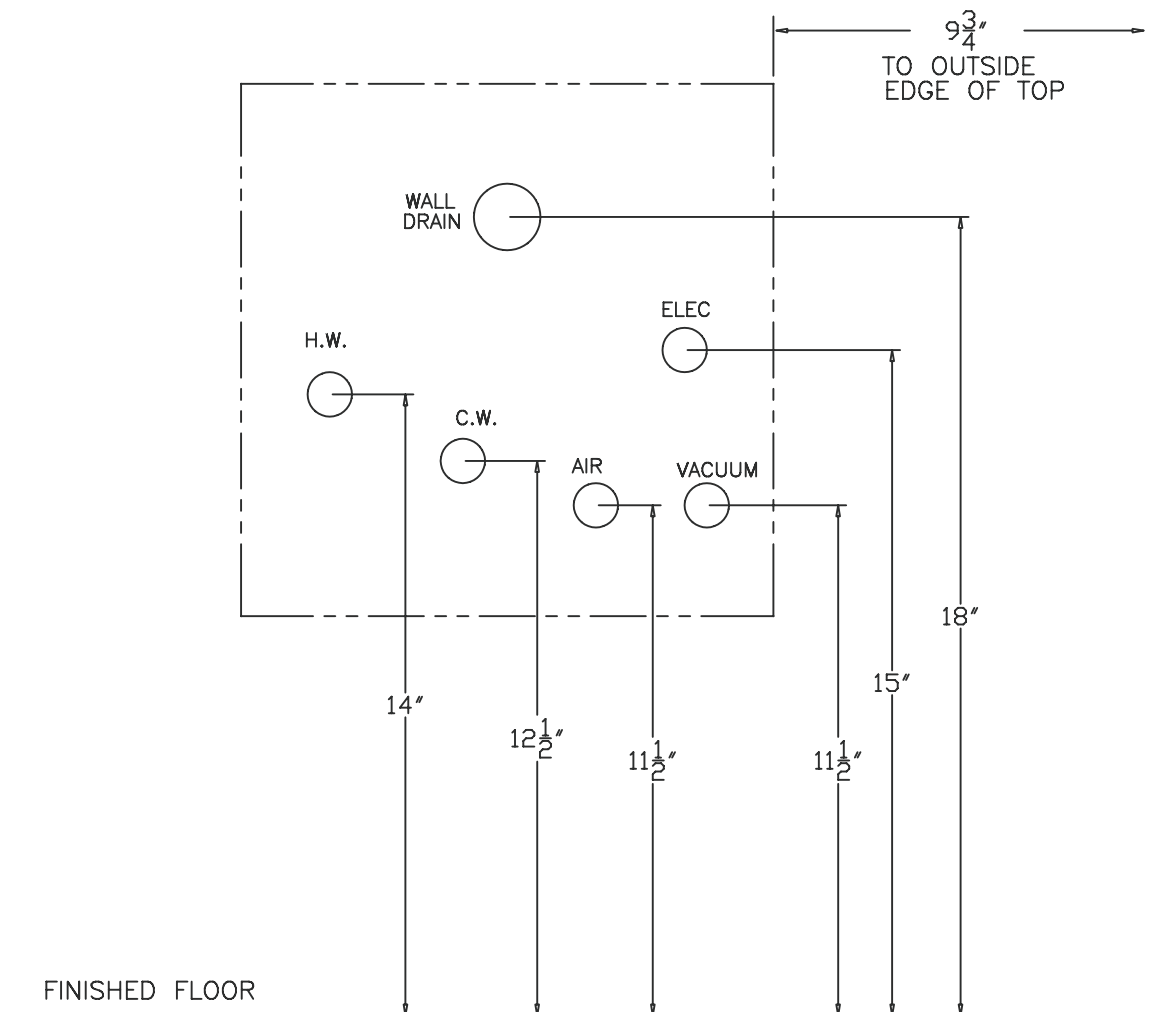
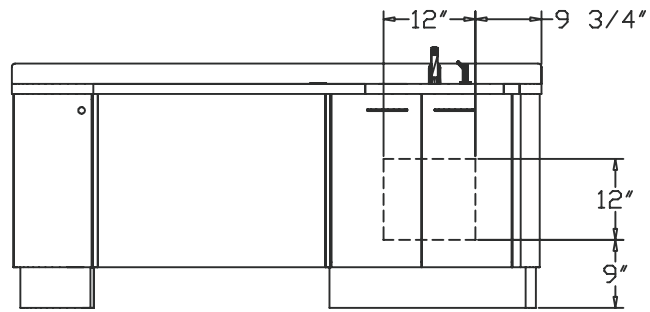
**PLUMBING NOTES**  
1-1/2" DRAIN SHOWN; SIZE MAY VARY ACCORDING TO LOCAL CODE.  
IT IS THE RESPONSIBILITY OF THE INSTALLER TO CONFIRM THAT THE INSTALLATION MEETS ALL LOCAL CODE REGULATIONS, AS WELL AS LOCAL CHECKED WITH THE ARCHITECT OR PROPER CONTRACTOR BEFORE WORK IS STARTED.



NOTE: PLAN AND ELEVATION VIEWS ARE FOR REFERENCE ONLY. SEE INSTALLATION MANUAL FOR DETAILED INFORMATION.

REV.	DATE	DESCRIPTION	BY
		KOKEN MANUFACTURING CO., INC. ST. LOUIS, MISSOURI	
MATERIAL		TITLE	
FINISH		D-1 FLOOR TEMPLATE	
DRAWN BY		SCALE	DRAWING NO.
L. L. L. L.		1=1	P11343
CHECKED		DATE	
		5/27/2003	

# D-1 WALL TEMPLATE FOR REAR PLUMBING



# Surface Cleaning

Ortho-Sys. ECO-Sys, D-Series, & E-Series

## Belmont Recommends:

- *Countertop Magic*® for Laminate and Solid Surface Work Surfaces
- *Stone Clean and Polish Magic*® for Cambria Quartz Work Surfaces
- *Cabinet and Wood Magic*® for Laminate and Melamine Surfaces
- *Stainless Steel Magic*® for Stainless Steel Surfaces

Products available at Lowes®, Home Depot®, or @ [www.magicamerican.com](http://www.magicamerican.com)

## Laminate/Melamine Surfaces

Clean surfaces with a damp cloth or sponge with a mild soap.

Stains may be removed with most non-abrasive household cleaners such as Formula 409®, Fantastik®, Glass Plus®, or Windex with Ammonia D®.

For tough stains, use a paste of baking soda and water and apply with a soft bristled brush. Although baking soda is a low abrasive, excessive scrubbing or exerting too much force may damage the decorative surface.

Many commercially available products contain substances that may damage or discolor the decorative surface. **Do not** use abrasive cleaners such as toilet bowl cleaners, hydrogen peroxide, oven cleaners, drain cleaners, metal cleaners and polishes, chlorine bleach, coffee pot cleaners, hard water stain removers, fruit and berry juice, tub and tile cleaners, or equivalent.

## LG HI-MACS® Solid Surface Tops

Clean surfaces with a damp cloth or sponge with a mild soap.

Stains can easily be removed using a domestic all-purpose cleaner or for tough stains use a bleaching agent (**do not leave in contact with the work surface for more than five minutes**) and rinse with clean water.

Avoid using cleaning agents that contain acids, such as methyl chloride or acetone. Should one of these products accidentally come into contact with the material, as a precautionary measure, rinse the surface with soapy water to prevent any discoloring taking place.

For additional care/maintenance, visit: [www.lghausys.com](http://www.lghausys.com)

## Cambria® Quartz Work Surfaces

Clean surfaces with a damp cloth or sponge with a mild soap.

**Do not** use abrasive, strong alkaline, acid, free radicals, or oxidized cleaners (whether high, neutral or low pH). **Do not** use products such as bleach, oven cleaners, Comet®, Soft Scrub®, SOS®, products with pumice, batteries, paint removers, furniture strippers, or tarnish/silver cleaners. **Do not** use abrasive or harsh scrub pads. **Do not** apply sealers, penetrants or topical treatments, as such products will wear off and cause the gloss to appear dull or inconsistent.

For additional care/maintenance, visit: [www.cambriausa.com](http://www.cambriausa.com)