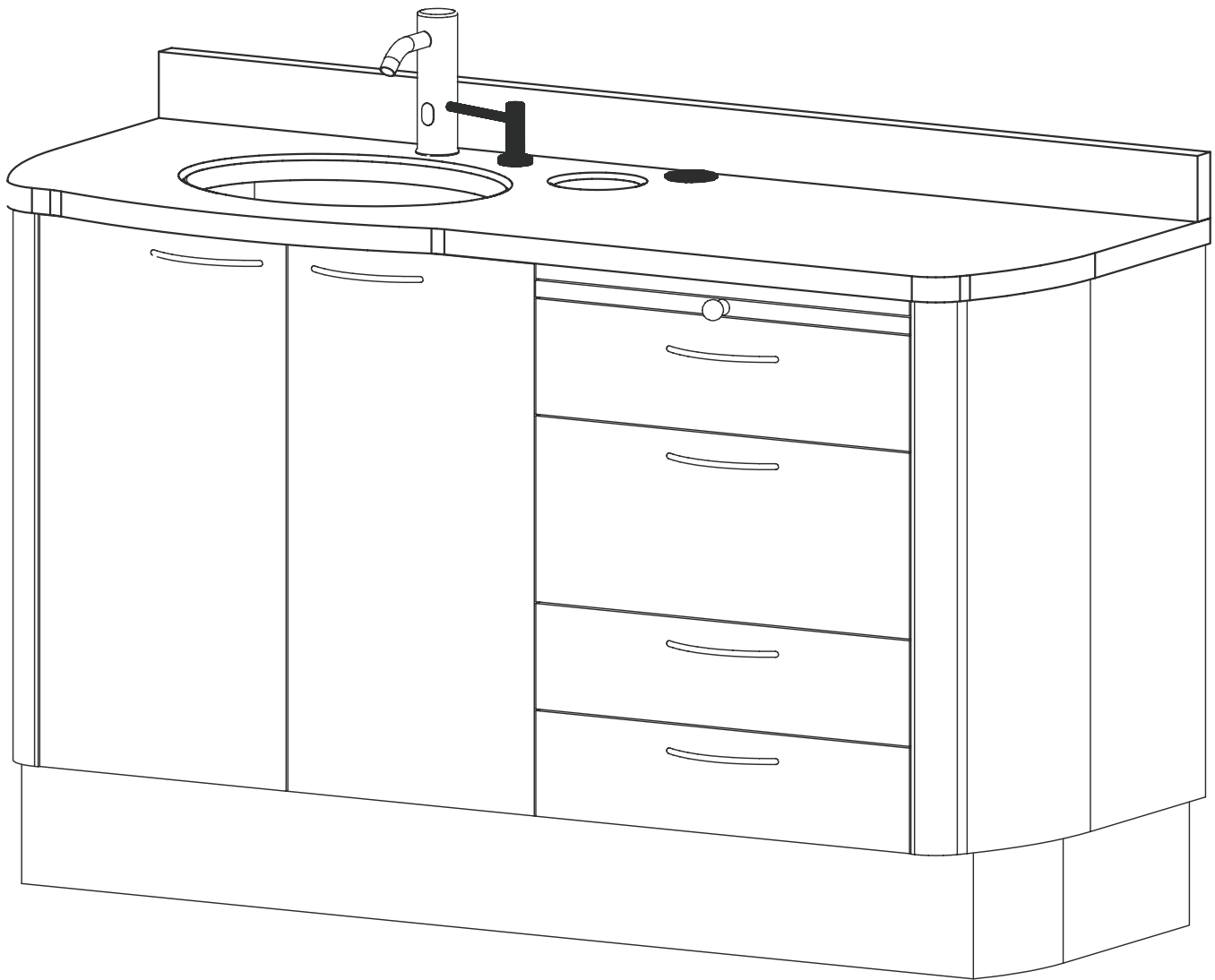


D-Series Dental Cabinetry System

Installation Manual

Model: D-3

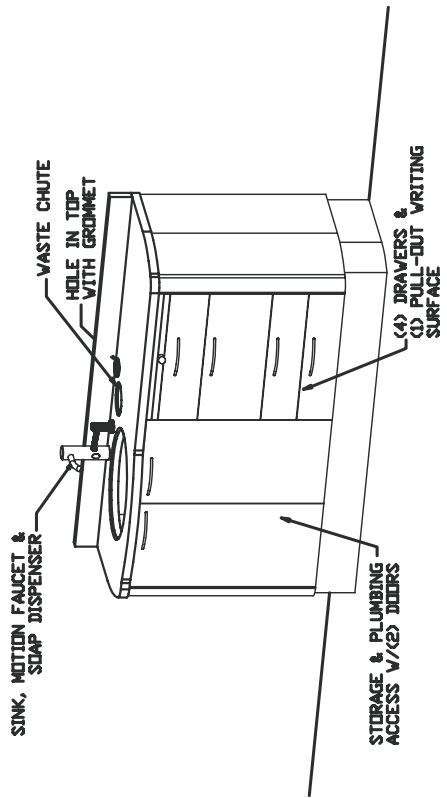


Version: 04012013

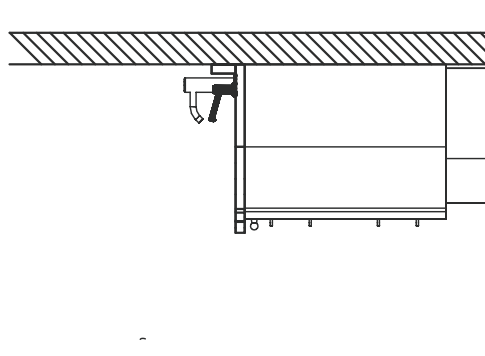


1631 Dr. Martin Luther King Drive
St. Louis, MO 63106
(314) 231-7383 1-800-325-7373
Fax (314) 621-2296
www.belmontequip.com

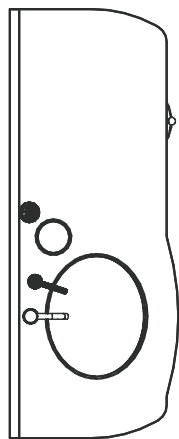
Description: D-3 ASSISTANT'S CONSOLE



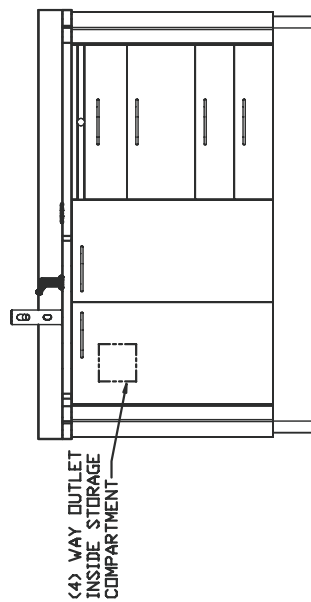
ISOMETRIC VIEW



RIGHT SIDE VIEW



TOP VIEW

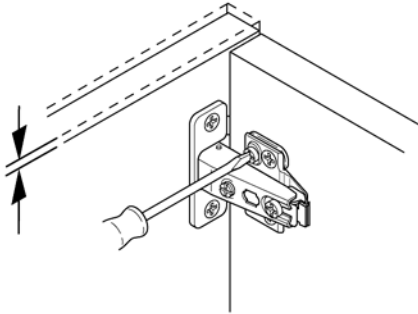


FRONT VIEW

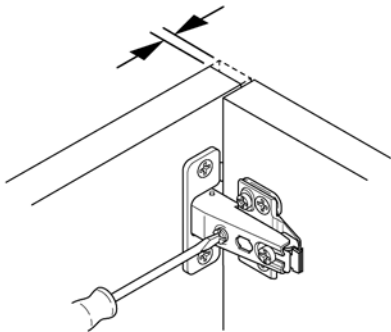
Adjustment Instructions for Concealed Hinges and Drawers

Hinge Adjustment For Standard Doors

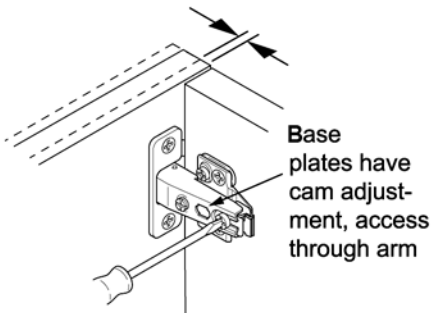
Height



Side



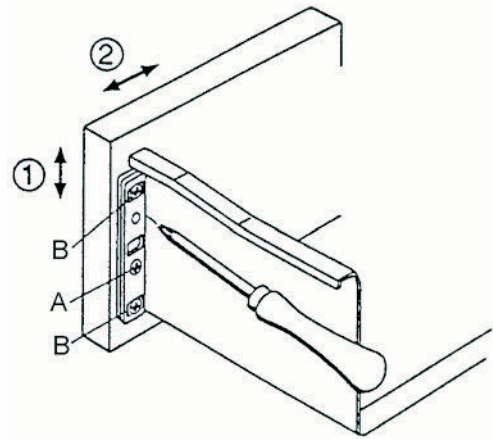
Depth



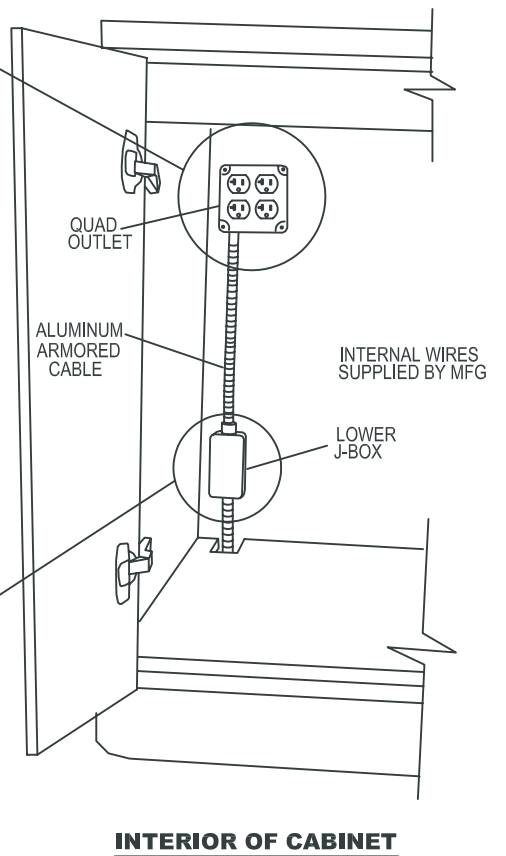
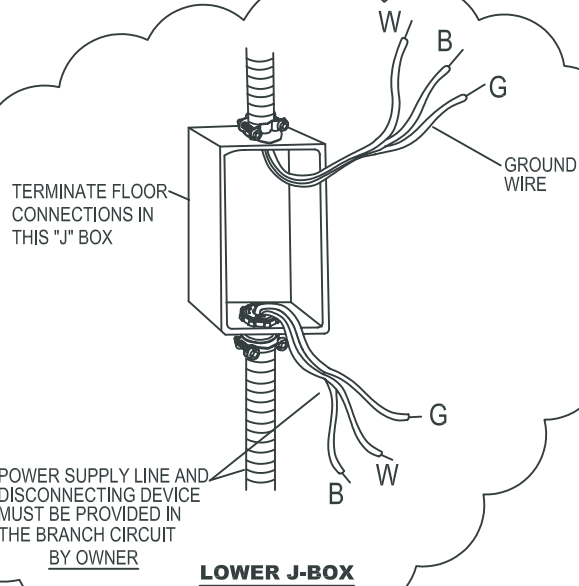
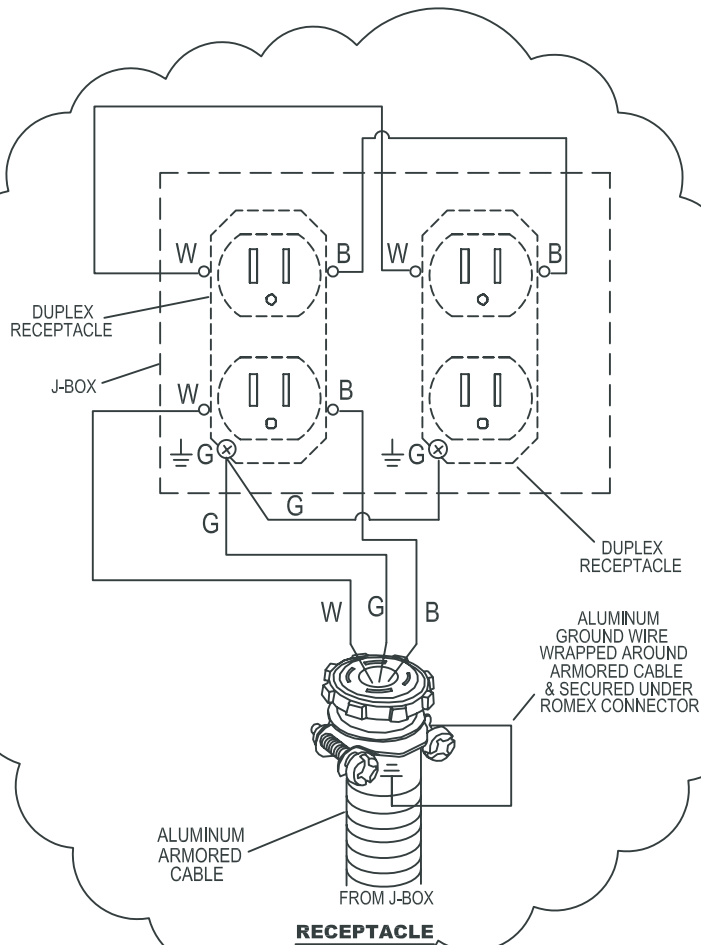
Adjustment for Drawer

1 – Height adjustment: Loosen screws **B** slightly. Adjust screw **A** (adjustment +/- 2mm). Tighten screws **B**

2 - Side adjustment: Loosen screws **B** slightly. Adjust front to required position (adjustment range +/- 1.5mm). Tighten screws **B**

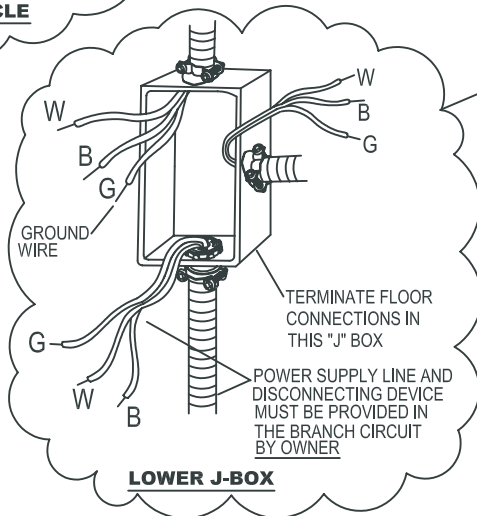
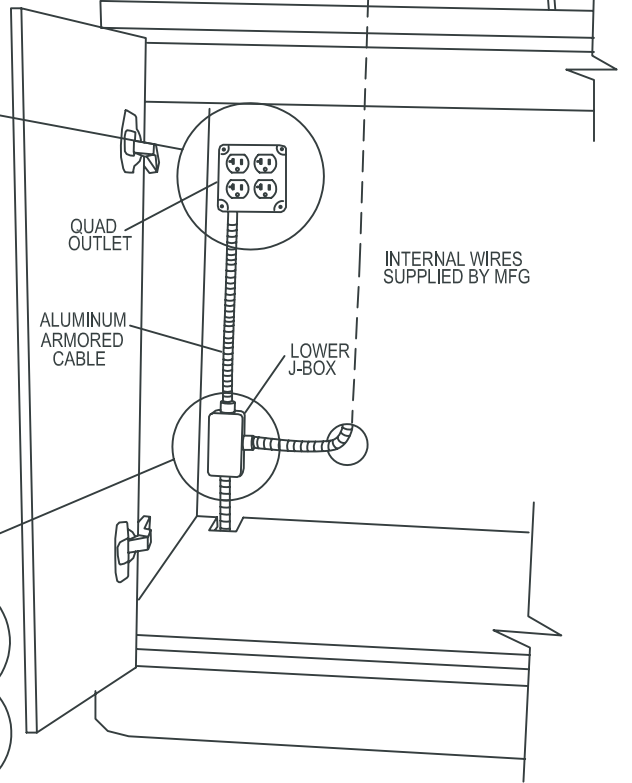
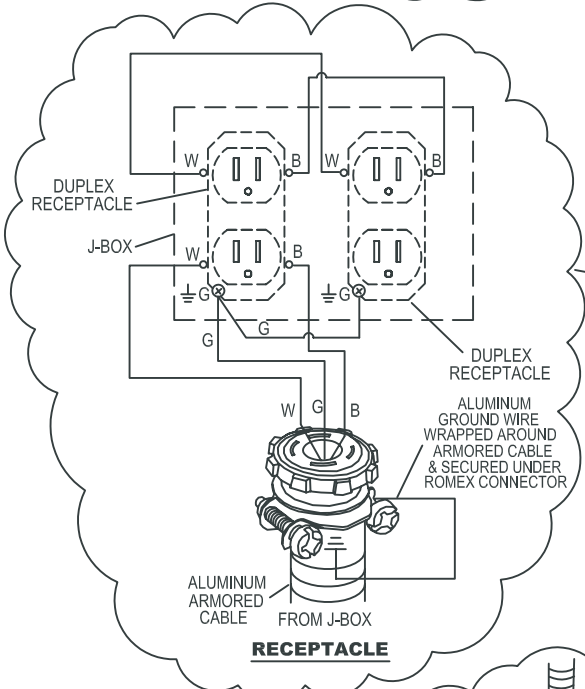
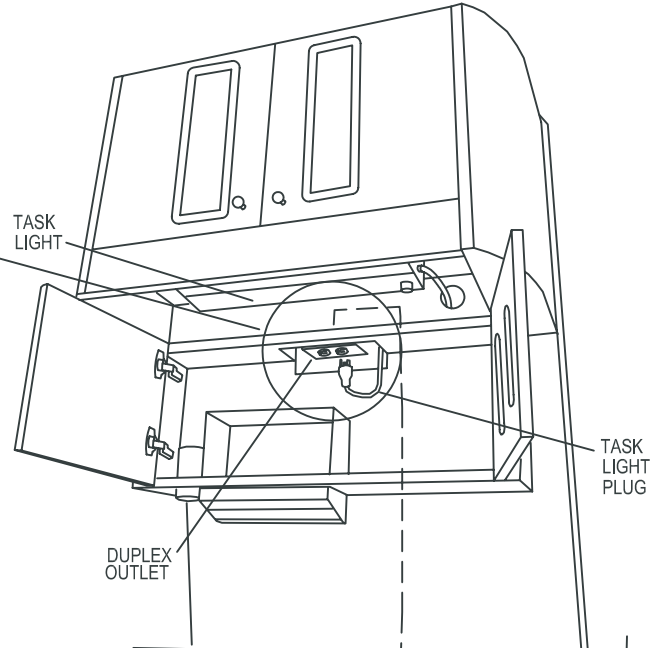
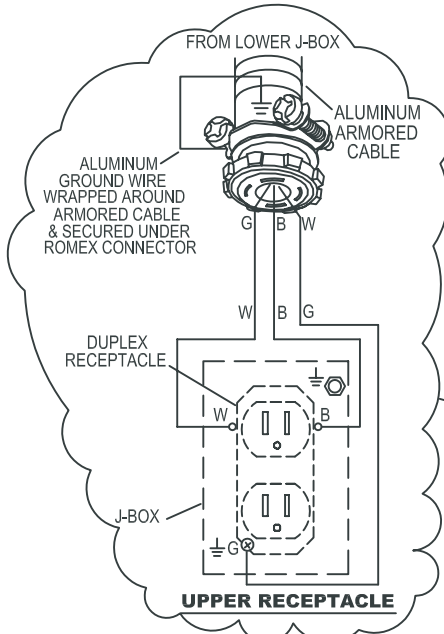


D-1 & D-3 ELECTRICAL HOOKUP

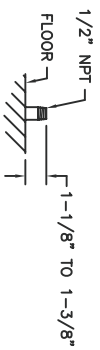
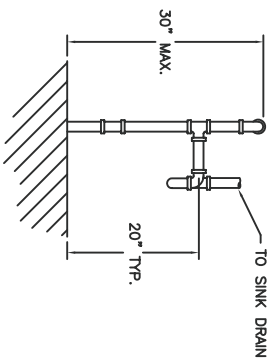
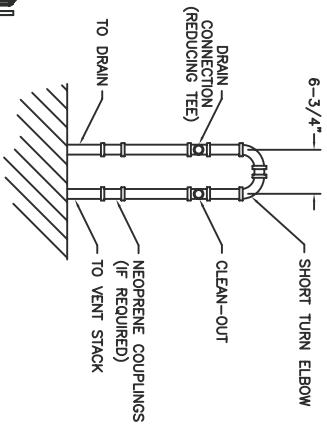
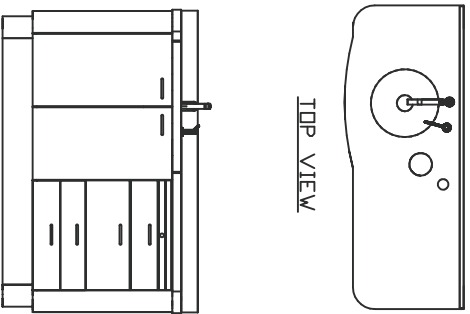
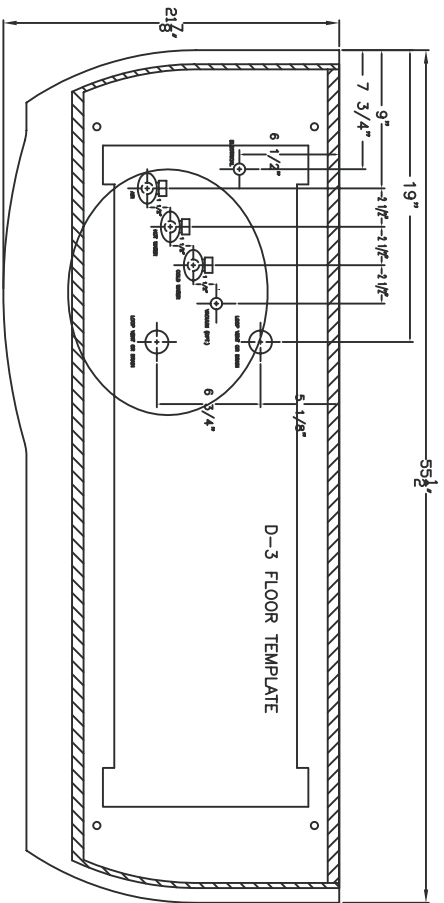


INTERIOR OF CABINET

D-1 OR D-3 WITH D-2 ELECTRICAL HOOKUP



INTERIOR OF CABINET



FRONT VIEW

RIGHT SIDE VIEW

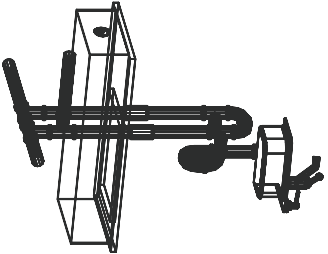
TOP VIEW

NOTE: PLAN AND ELEVATION VIEWS ARE FOR REFERENCE ONLY. SEE INSTALLATION MANUAL FOR DETAILED INFORMATION.

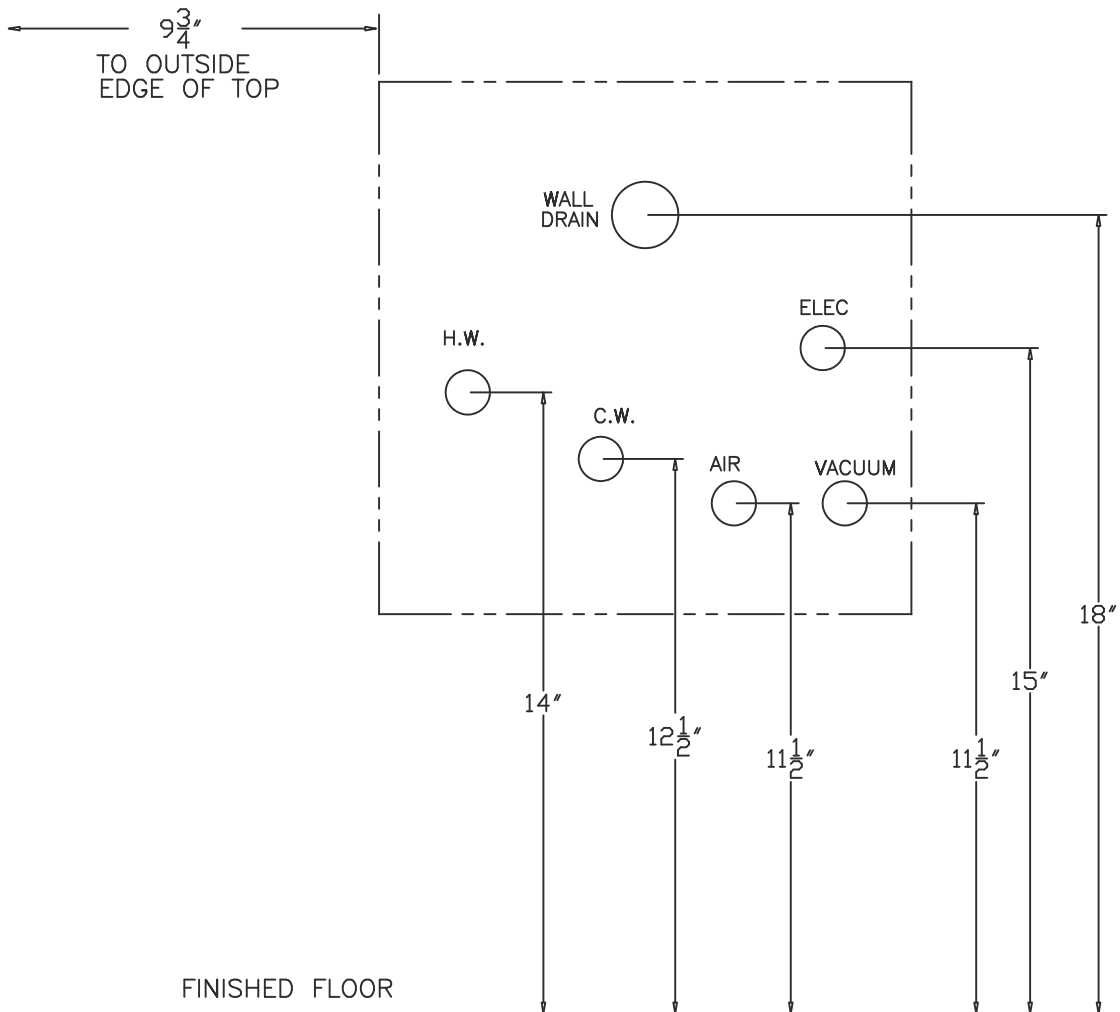
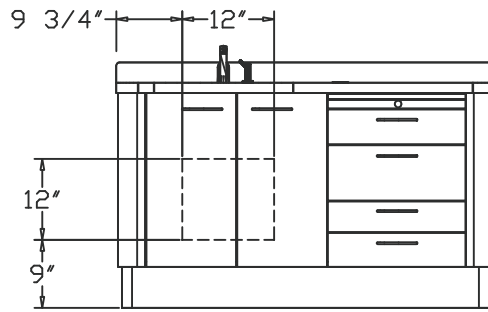
PLUMBING NOTES
 1-1/2" DRAIN SHOWN. SIZE MAY VARY ACCORDING TO LOCAL CODE.
 IT IS THE RESPONSIBILITY OF THE INSTALLER TO CONFIRM THAT THE INSTALLATION MEETS LOCAL CODE WITH REGARD TO MATERIALS, VENTING, ETC.

KOKEN MANUFACTURING ASSUMES NO RESPONSIBILITY FOR MEASUREMENTS SUBMITTED TO THEM BY OTHERS. ALL ELECTRICAL SOURCES OR CORRECT MEASUREMENTS REQUIRED FOR THIS DRAWING ARE THE ARCHITECT'S RESPONSIBILITY. LOCAL CODE REGULATIONS SHOULD BE CHECKED WITH THE ARCHITECT OR PROPER CONTRACTOR BEFORE WORK IS STARTED.

REV.	DATE	DESCRIPTION	BY
		KOKEN MANUFACTURING CO., INC. ST. LOUIS, MISSOURI	
MATERIAL:		TITLE	
FINISH:		D-3 FLOOR TEMPLATE	
DRAWN	L. Litchfield	SCALE	1=1
CHK'D.		DATE	5/27/2003
			DRAWING NO.
			P11344



D-3 WALL TEMPLATE FOR REAR PLUMBING



Surface Cleaning

Ortho-Sys. ECO-Sys, D-Series, & E-Series

Belmont Recommends:

- *Countertop Magic*® for Laminate and Solid Surface Work Surfaces
- *Stone Clean and Polish Magic*® for Cambria Quartz Work Surfaces
- *Cabinet and Wood Magic*® for Laminate and Melamine Surfaces
- *Stainless Steel Magic*® for Stainless Steel Surfaces

Products available at Lowes®, Home Depot®, or @ www.magicamerican.com

Laminate/Melamine Surfaces

Clean surfaces with a damp cloth or sponge with a mild soap.

Stains may be removed with most non-abrasive household cleaners such as Formula 409®, Fantastik®, Glass Plus®, or Windex with Ammonia D®.

For tough stains, use a paste of baking soda and water and apply with a soft bristled brush. Although baking soda is a low abrasive, excessive scrubbing or exerting too much force may damage the decorative surface.

Many commercially available products contain substances that may damage or discolor the decorative surface. **Do not** use abrasive cleaners such as toilet bowl cleaners, hydrogen peroxide, oven cleaners, drain cleaners, metal cleaners and polishes, chlorine bleach, coffee pot cleaners, hard water stain removers, fruit and berry juice, tub and tile cleaners, or equivalent.

LG HI-MACS® Solid Surface Tops

Clean surfaces with a damp cloth or sponge with a mild soap.

Stains can easily be removed using a domestic all-purpose cleaner or for tough stains use a bleaching agent (**do not leave in contact with the work surface for more than five minutes**) and rinse with clean water.

Avoid using cleaning agents that contain acids, such as methyl chloride or acetone. Should one of these products accidentally come into contact with the material, as a precautionary measure, rinse the surface with soapy water to prevent any discoloring taking place.

For additional care/maintenance, visit: www.lghausys.com

Cambria® Quartz Work Surfaces

Clean surfaces with a damp cloth or sponge with a mild soap.

Do not use abrasive, strong alkaline, acid, free radicals, or oxidized cleaners (whether high, neutral or low pH). **Do not** use products such as bleach, oven cleaners, Comet®, Soft Scrub®, SOS®, products with pumice, batteries, paint removers, furniture strippers, or tarnish/silver cleaners. **Do not** use abrasive or harsh scrub pads. **Do not** apply sealers, penetrants or topical treatments, as such products will wear off and cause the gloss to appear dull or inconsistent.

For additional care/maintenance, visit: www.cambriausa.com