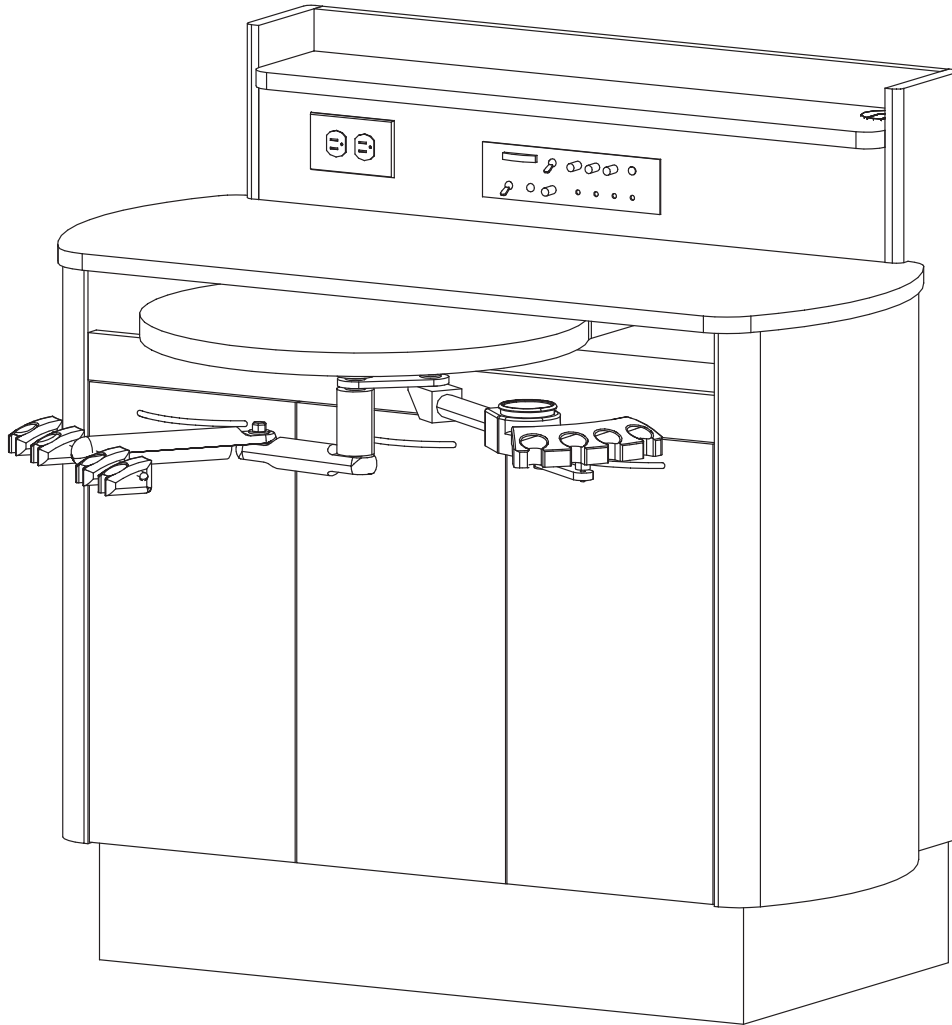


D-Series Dental Cabinetry System

Installation Manual

Model: D-66CM-L



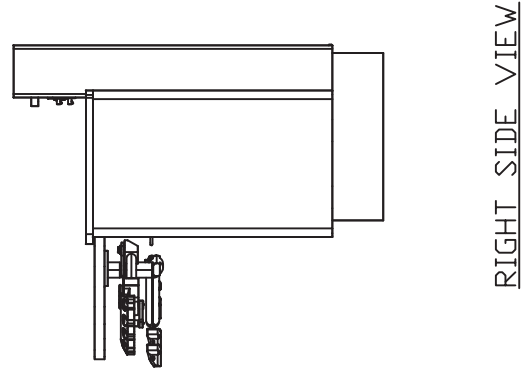
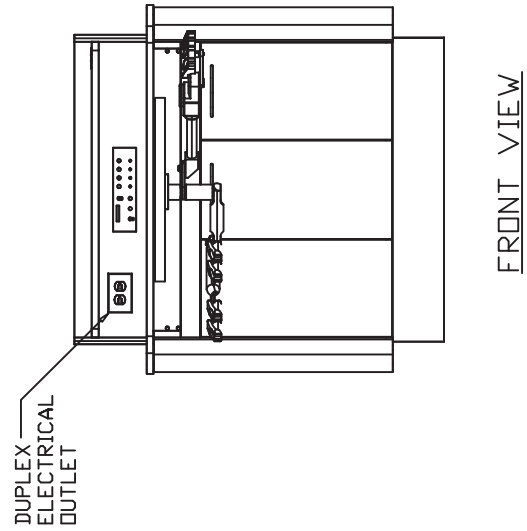
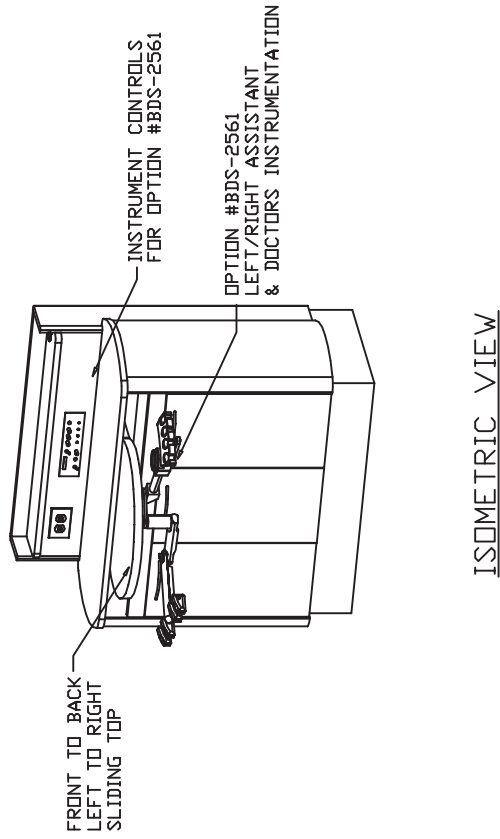
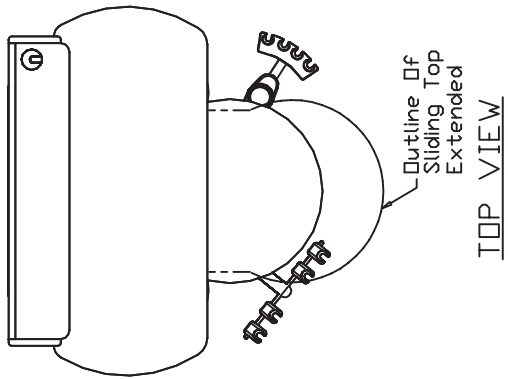
Revision: 04012013

 **Belmont**[®]

1631 Dr. Martin Luther King Drive
St. Louis, MO 63106
(314) 231-7383 1-800-325-7373
Fax (314) 621-2296
www.belmontequip.com

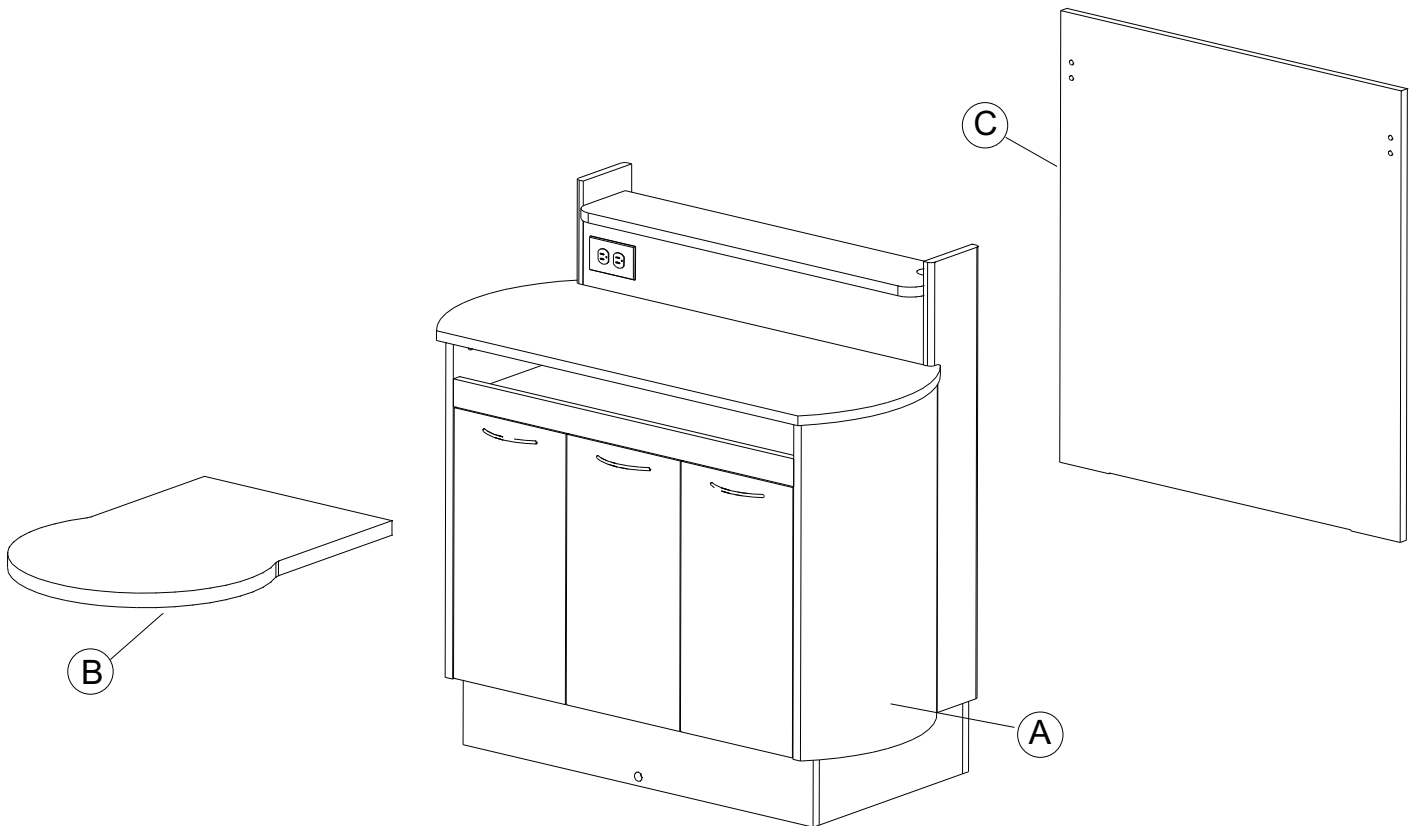
Model: D-66CM-L Details

Description: D-66CM3-L Lower Rear Console Left-Right



D-66CM-L Assembly Instructions

Component Identification



Component Identification

- (A) Cabinet Base
- (B) Sliding Top
- (C) Back Panel

Note:
Back panel (item C) is attached to base cabinet (item A) during shipping. It must be removed for cabinet assembly.

D-66CM-L Assembly Instructions

Step 1

Check the incoming power location to see if it conforms to the specification on the floor template drawing. If a dental delivery system is to be installed on this cabinet, confirm that the appropriate air, water and vacuum plumbing stubs are in place.

Step 2

Open the doors and remove the removable hole covers (A1) (quantity may vary). See Figure 2. If the upper top (A2) is in place remove it by lifting up on it.

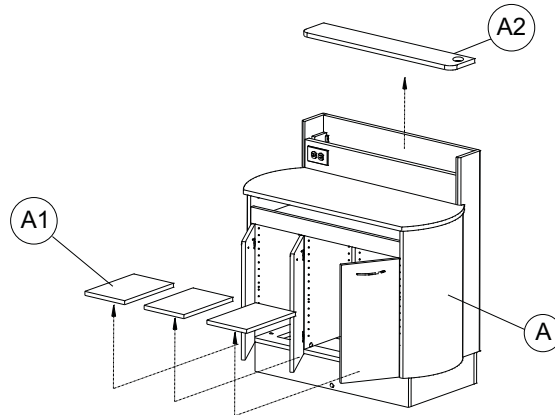


FIGURE 2

Step 3

Remove the back panel (C) from the cabinet base (A) by releasing the KD connectors connecting the back panel. Access the KD's from inside the upper left/right interior corners. See Figure 3A

Release the KD connectors by turning the screw counter clockwise about 1/2 turn.

See Figure 3B Do this to both KD's.

Once the KD's are disconnected you may lift off the back panel and remove.

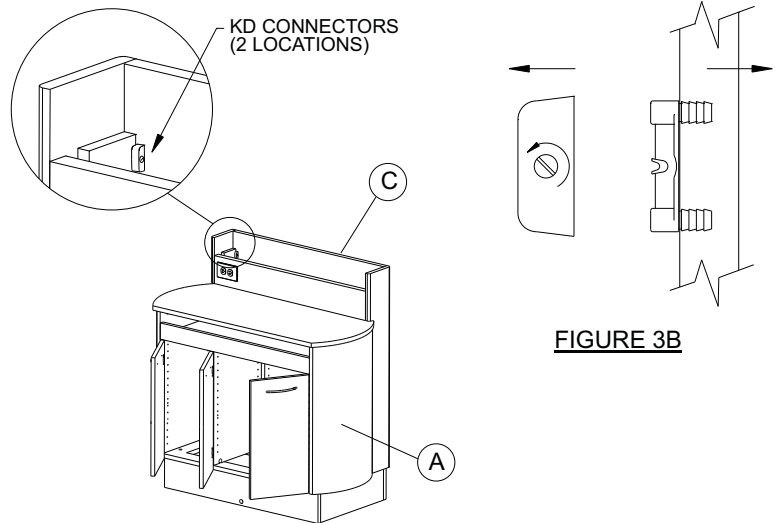


FIGURE 3B

FIGURE 3A

Step 4

Before moving cabinet base make sure the leveling feet are not extended. Screw in to minimum height if they are not. See Figure 4

Move the cabinet base over the electric &/or plumbing stubs. Using the leveling feet level the unit. Secure to floor using the floor brackets. See Figure 4

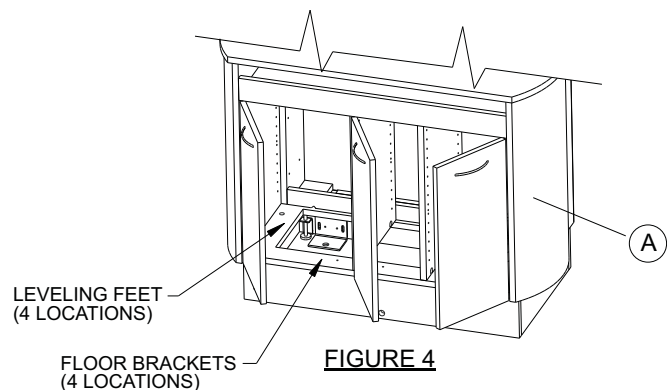


FIGURE 4

D-66CM-L Assembly Instructions

Step 5

Remove the top support block at the rear of the unit by removing the wood screws in the block. See Figure 5A. Insert sliding top from the rear with the slides extended. See Figure 5B. Have an assistant hold the sliding top in place and screw the (6) #10 x 3/4"PH wood screws (1/4-20 x 1/2" round head screws if cambria top) through the slides into the sliding top. See Figure 5C. Replace the top support block removed in Figure 5A.

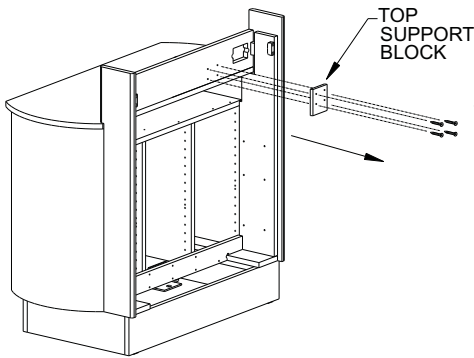


FIGURE 5A

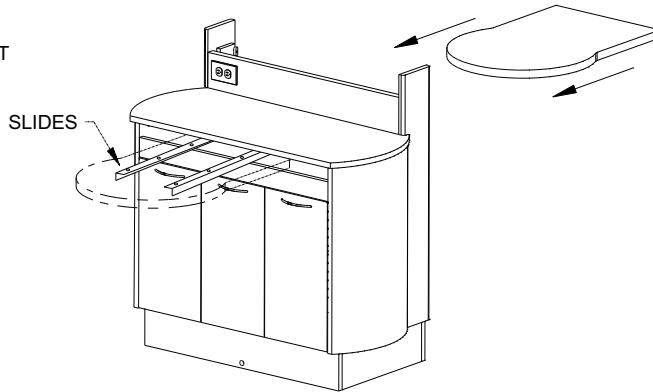


FIGURE 5B

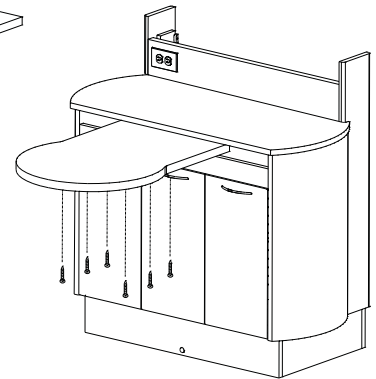


FIGURE 5C

Step 6

Make electrical connections per the D-66CM-L Electrical Instructions.

Step 7

Mount the left-right rear delivery unit underneath the sliding countertop (B) using (4) #10-32 x 3/4" allen head screws (requires 5/32" allen wrench). See Figure 7

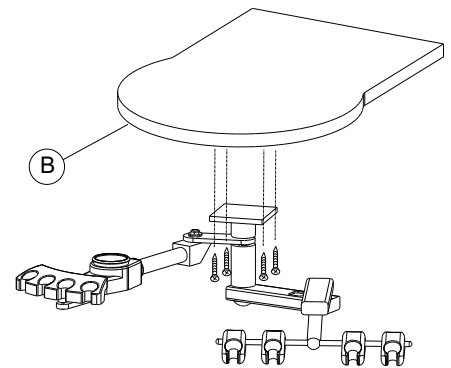


FIGURE 7
HOSES NOT SHOWN

Step 8

Install the control panel with (4) #6 x 3/4" white painted screws (supplied by manufacturer) to upper front panel and attach vacuum, air and water connections to building plumbing according to the unit manufacturers directions. See Figure 8

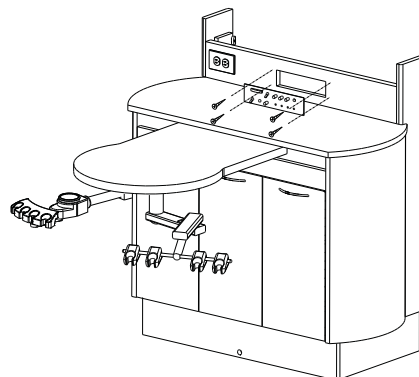


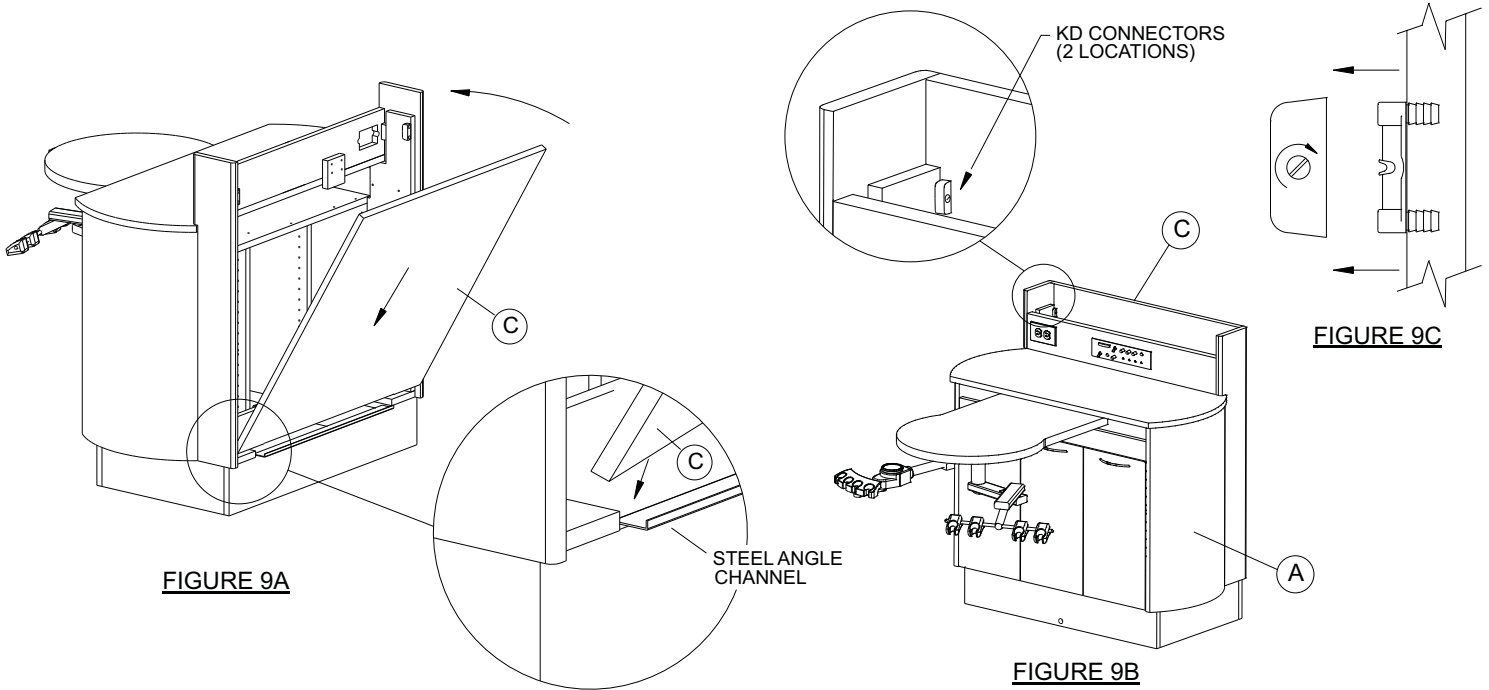
FIGURE 8

D-66CM-L Assembly Instructions

Step 9

Replace the back panel (C) to the cabinet base (A) by seating the back panel into the steel angle channel at the bottom of the rear opening. See Figure 9A. Tilt the top of the rear panel into position and engage the 2 KD connectors by accessing the KD connectors from inside the lower cabinet. See Figure 9B.

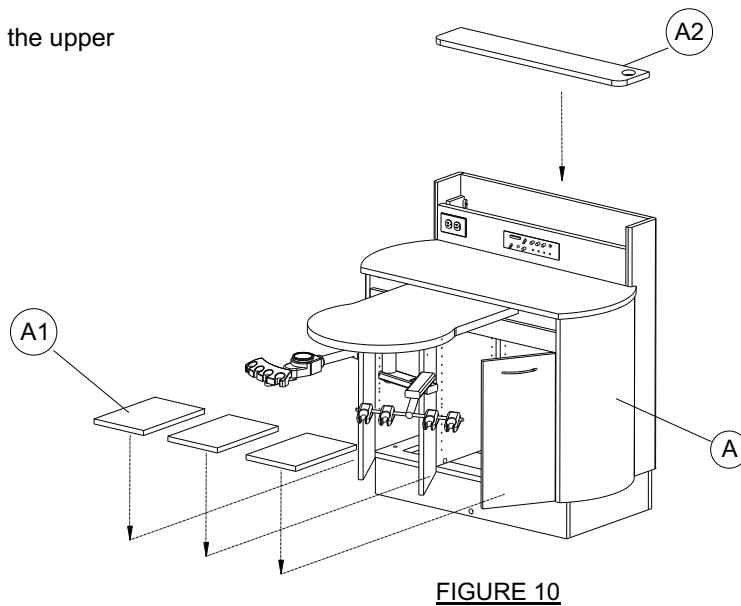
Engage the KD connectors by turning the screw clockwise about 1/2 turn. See Figure 9C



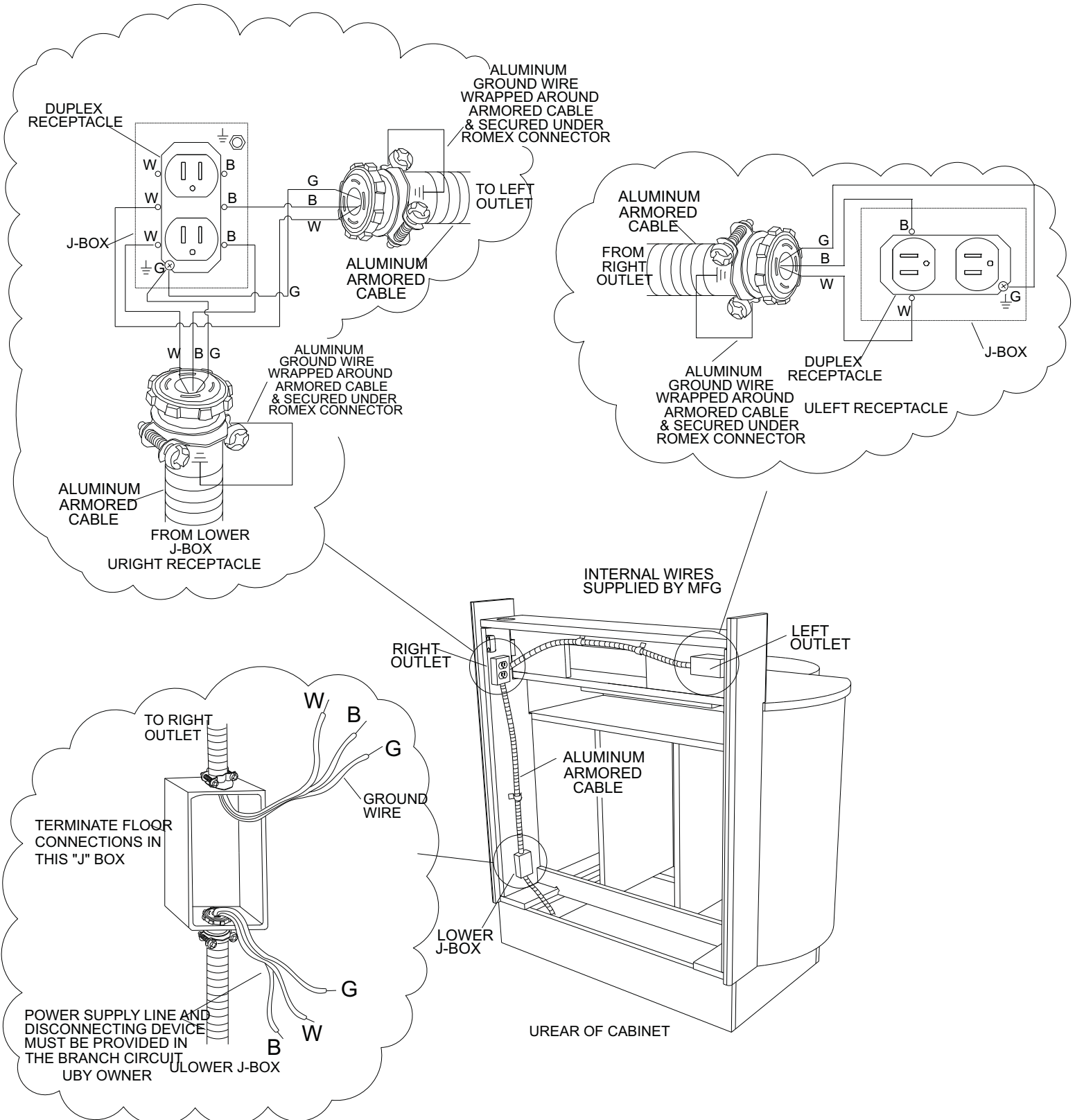
Step 10

Replace the removable hole covers (A1) and the upper top (A2). See Figure 10.

Installation Complete



D-66CM-L ELECTRICAL CONNECTIONS



D-66CM-L Electrical Parts List

1. Junction box w/cover, galvanized steel. Overall dimensions, 4" long, 2 1/8" wide, 1 1/2" deep, .07" thick. U.L. listed or equal.
2. Internal cords are 12/3 AWG, TYPE SO, SOO, SJ, SJT, SJO, or SJTO insulated, rated 300 VAC, 60 °C, U.L. listed or equal. Cabinet between receptacles and timers (unit provided with timers) are minimum 14/3 AWG, type SO, SOO, SJ, SJT, SJO or SJTO insulated, rated 300 VAC, 60 °C.
3. Conduit connector, 3/8" insulated. U.L. listed or equal.
4. Vinyl insulated butted seam ring, wire rated 12-10 AWG. U.L. listed or equal.
5. Wire connectors (wire nut), screw on type. U.L. listed.
6. Flexible conduit, flexible steel conduit, 1/2". U.L. recognized or equal.
7. Receptacle, duplex 2-pole 3 wire grounding hospital grade, rated 125 VAC, 15 AMPS. U.L. listed or equal.
8. Wall plate, duplex, U.L. listed.

D-66CM-L X-Calibur Electrical Instructions

IMPORTANT NOTE: Approved electrical components and designs are used in the X-Calibur cabinet; however, the procedures described herein must be performed by a licensed electrician using approved methods and materials according to the local code governing the installation site.

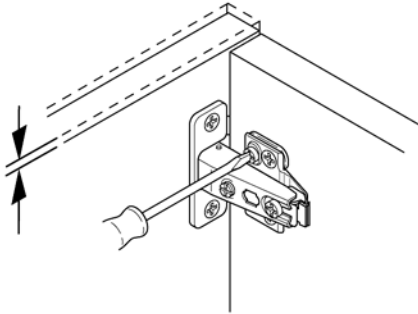
General Electrical Notes

- Each cabinet should be wired to a **SEPARATE 15 Amp circuit** .
- Unless otherwise specified, **ALL WIRING** supplied by the contractor must be **APPROVED 12 Ga. AWG.**
- Type B equipment providing a particular degree of protection against electric shock, particularly regarding: allowable leakage current, & reliability of the protective earth connection (if present).
- Disconnect device must be provided in the branch circuit by electrician.

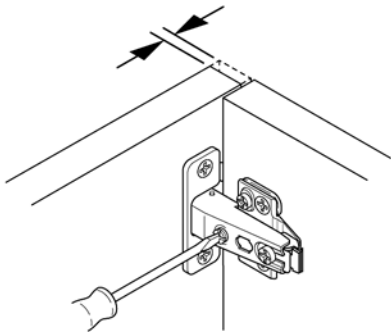
Adjustment Instructions for Concealed Hinges and Drawers

Hinge Adjustment For Standard Doors

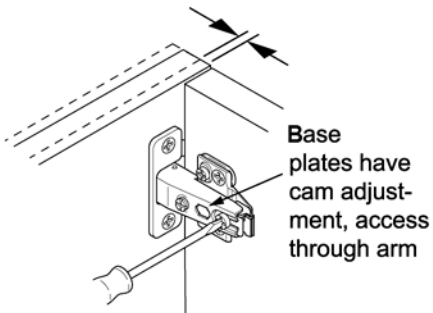
Height



Side



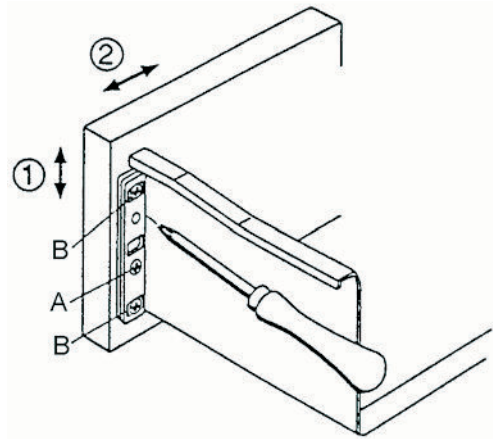
Depth

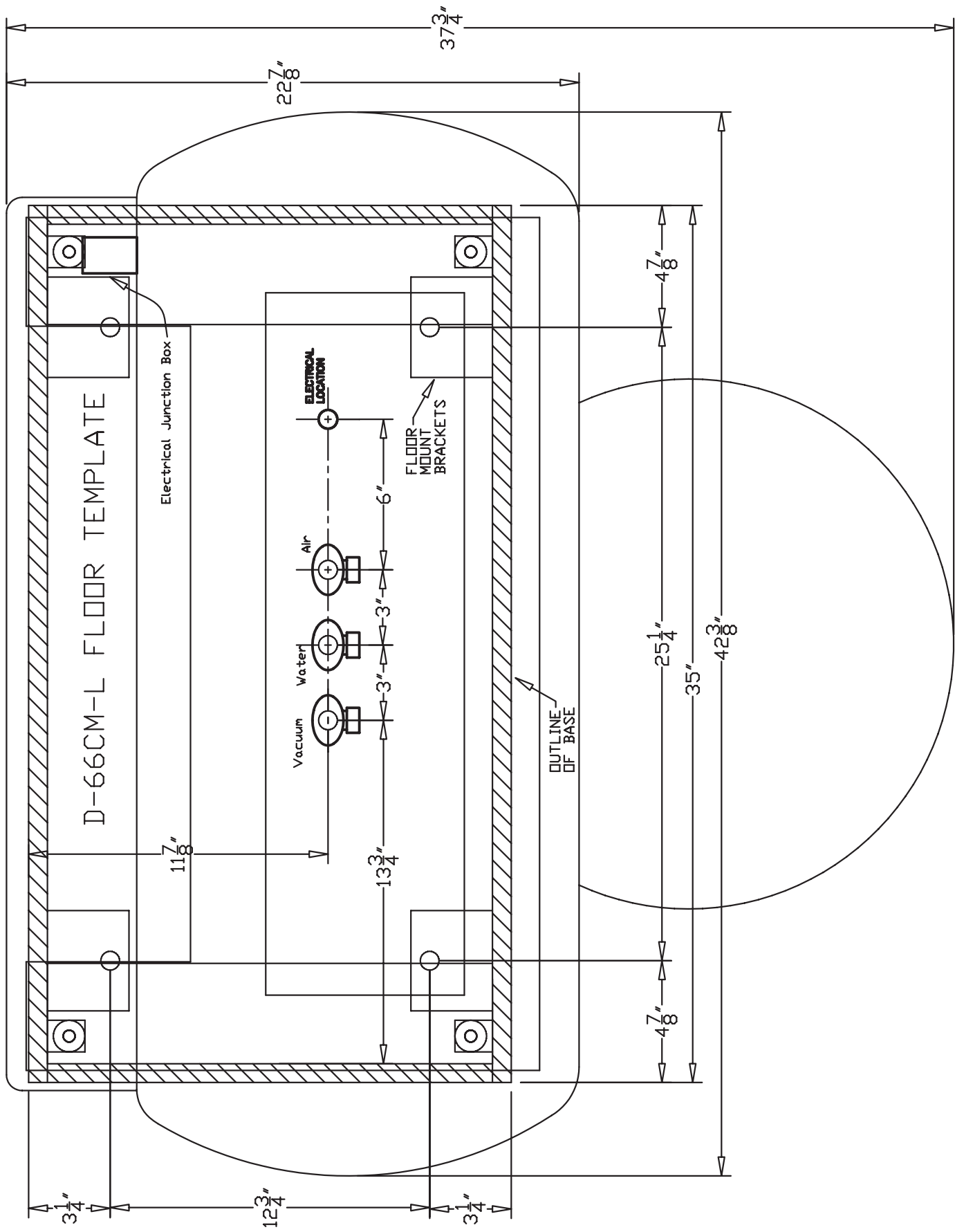


Adjustment for Drawer

1 – Height adjustment: Loosen screws **B** slightly. Adjust screw **A** (adjustment +/- 2mm). Tighten screws **B**

2 - Side adjustment: Loosen screws **B** slightly. Adjust front to required position (adjustment range +/- 1.5mm). Tighten screws **B**





Surface Cleaning

Ortho-Sys. ECO-Sys, D-Series, & E-Series

Belmont Recommends:

- *Countertop Magic*® for Laminate and Solid Surface Work Surfaces
- *Stone Clean and Polish Magic*® for Cambria Quartz Work Surfaces
- *Cabinet and Wood Magic*® for Laminate and Melamine Surfaces
- *Stainless Steel Magic*® for Stainless Steel Surfaces

Products available at Lowes®, Home Depot®, or @ www.magicamerican.com

Laminate/Melamine Surfaces

Clean surfaces with a damp cloth or sponge with a mild soap.

Stains may be removed with most non-abrasive household cleaners such as Formula 409®, Fantastik®, Glass Plus®, or Windex with Ammonia D®.

For tough stains, use a paste of baking soda and water and apply with a soft bristled brush. Although baking soda is a low abrasive, excessive scrubbing or exerting too much force may damage the decorative surface.

Many commercially available products contain substances that may damage or discolor the decorative surface. **Do not** use abrasive cleaners such as toilet bowl cleaners, hydrogen peroxide, oven cleaners, drain cleaners, metal cleaners and polishes, chlorine bleach, coffee pot cleaners, hard water stain removers, fruit and berry juice, tub and tile cleaners, or equivalent.

LG HI-MACS® Solid Surface Tops

Clean surfaces with a damp cloth or sponge with a mild soap.

Stains can easily be removed using a domestic all-purpose cleaner or for tough stains use a bleaching agent (**do not leave in contact with the work surface for more than five minutes**) and rinse with clean water.

Avoid using cleaning agents that contain acids, such as methyl chloride or acetone. Should one of these products accidentally come into contact with the material, as a precautionary measure, rinse the surface with soapy water to prevent any discoloring taking place.

For additional care/maintenance, visit: www.lghausys.com

Cambria® Quartz Work Surfaces

Clean surfaces with a damp cloth or sponge with a mild soap.

Do not use abrasive, strong alkaline, acid, free radicals, or oxidized cleaners (whether high, neutral or low pH). **Do not** use products such as bleach, oven cleaners, Comet®, Soft Scrub®, SOS®, products with pumice, batteries, paint removers, furniture strippers, or tarnish/silver cleaners. **Do not** use abrasive or harsh scrub pads. **Do not** apply sealers, penetrants or topical treatments, as such products will wear off and cause the gloss to appear dull or inconsistent.

For additional care/maintenance, visit: www.cambriausa.com